

# Plug-In Single Roller Shade


Scale: NTS

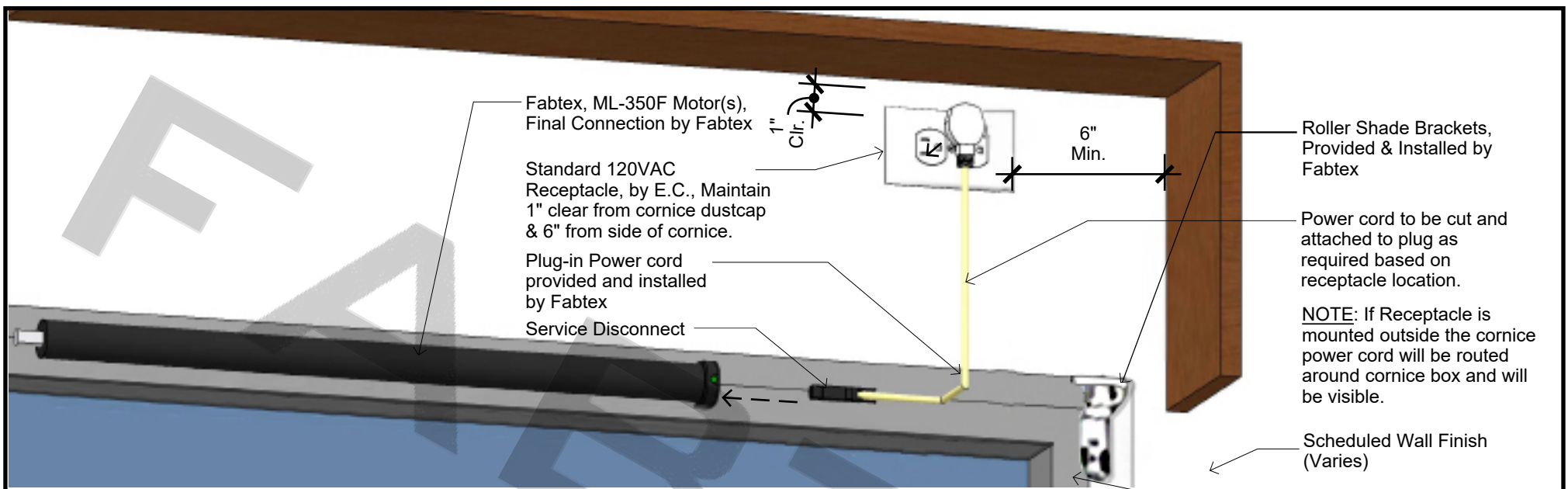
<b>ML-350F Motor</b>
120VAC @ 60Hz
6Nm Torque
33 RPM
0.85 Amps
102 Watts
Max. Whip Length:
8 Meters (312")
4 Meters (156")
2 Meters (78")

**General Installation Notes:**

- 1) The ML-350F Tubular Motor provides 6Nm of power in a compact, cost effective package. Drawing power from 120VAC, the 350F accommodates two different methods of control; RF wireless and dry contact. This means the ability to use wireless wall mounted and hand-held remote options but also built-in wired Dry Contact relays which allow for 3rd party integration.
- 2) The ML-350F produces less than 40bDA and powers shades on a 2" and 2.5" tubes. Designed to be used as a plug-in device for ease of installation, the plug can be omitted for hardwired installations. Each motor comes standard cord and an adjustable right angle plug. The purpose is to allow installation crews to cut the cord to length and attach the plug end. When direct wiring is required, a local licensed electrician will be needed to terminate the connection.
- 3) Built-in service disconnect allows for service interchangeability at the motor head. Motor length will accommodate a minimum shade width of 28 inches.

**ROLLER SHADE OPERATION**  
See Attached Roller Shade Switch / Remote Option Sheet for Control Availability

<b>AC Plug-In / RF Control</b> <b>Inside Mount Single Roller Shade Wiring Diagram</b>	<b>Scale:</b> NTS	<b>CONFIDENTIAL -</b> All materials disclosed in this document are proprietary to Fabtex, Inc. The holder agrees to maintain it in confidence and must not replicate or reveal this information in any manner.	
	<b>By:</b> MJW <b>Date:</b> 10/15/19 Rev: 01/01/22		
<b>PRODUCT DISCLAIMER -</b> Fabtex is a manufacturer of commercial products that require installation by a licensed contractor. All information shown is for schematic purposes and to aid coordination amongst trades. All wiring, connections, means and methods is to be performed by others in strict adherence with all federal, state, and local building codes.			



# Plug-In Single Roller Shade

Scale: NTS

<b>ML-350F Motor</b>
120VAC @ 60Hz
6Nm Torque
33 RPM
0.85 Amps
102 Watts
Max. Whip Length:
8 Meters (312")
4 Meters (156")
2 Meters (78")

### General Installation Notes:

- 1) The ML-350F Tubular Motor provides 6Nm of power in a compact, cost effective package. Drawing power from 120VAC, the 350F accommodates two different methods of control; RF wireless and dry contact. This means the ability to use wireless wall mounted and hand-held remote options but also built-in wired Dry Contact relays which allow for 3rd party integration.
- 2) The ML-350F produces less than 40bDA and powers shades on a 2" and 2.5" tubes. Designed to be used as a plug-in device for ease of installation, the plug can be omitted for hardwired installations. Each motor comes standard cord and an adjustable right angle plug. The purpose is to allow installation crews to cut the cord to length and attach the plug end. When direct wiring is required, a local licensed electrician will be needed to terminate the connection.
- 3) Built-in service disconnect allows for service interchangeability at the motor head. Motor length will accommodate a minimum shade width of 28 inches.

## AC Plug-In / RF Control

### Single Roller Shade into Cornice Wiring Diagram

Scale: NTS

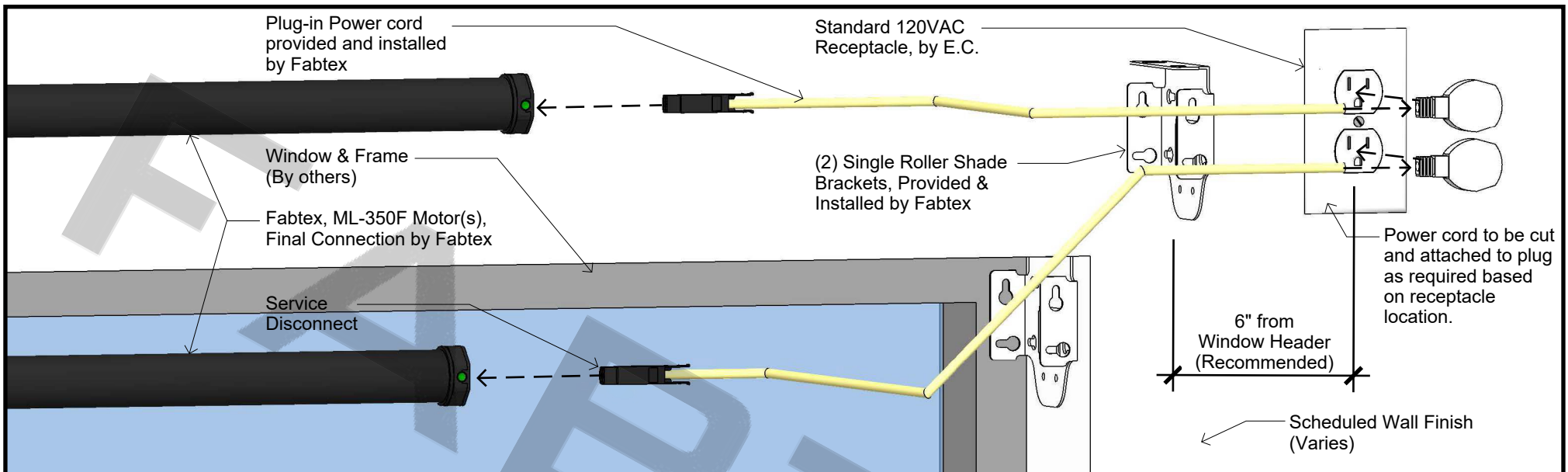
Date:

09/18/24

**CONFIDENTIAL -**  
All materials disclosed in this document are proprietary to Fabtex, Inc. The holder agrees to maintain it in confidence and must not replicate or reveal this information in any manner.



**PRODUCT DISCLAIMER -** Fabtex is a manufacturer of commercial products that require installation by a licensed contractor. All information shown is for schematic purposes and to aid coordination amongst trades. All wiring, connections, means and methods is to be performed by others in strict adherence with all federal, state, and local building codes.



## Plug-In Dual Roller Shade

Scale: NTS

<b>ML-350F Motor</b>
120VAC @ 60Hz
6Nm Torque
33 RPM
0.85 Amps
102 Watts
Max. Whip Length:
8 Meters (312")
4 Meters (156")
2 Meters (78")

### General Installation Notes:

- 1) The ML-350F Tubular Motor provides 6Nm of power in a compact, cost effective package. Drawing power from 120VAC, the 350F accommodates two different methods of control; RF wireless and dry contact. This means the ability to use wireless wall mounted and hand-held remote options but also built-in wired Dry Contact relays which allow for 3rd party integration.
- 2) The ML-350F produces less than 40bDA and powers shades on a 2" and 2.5" tubes. Designed to be used as a plug-in device for ease of installation, the plug can be omitted for hardwired installations. Each motor comes standard cord and an adjustable right angle plug. The purpose is to allow installation crews to cut the cord to length and attach the plug end. When direct wiring is required, a local licensed electrician will be needed to terminate the connection.
- 3) Built-in service disconnect allows for service interchangeability at the motor head. Motor length will accommodate a minimum shade width of 28 inches.

### ROLLER SHADE OPERATION

See Attached Roller Shade Switch / Remote Option Sheet for Control Availability

## AC Plug-In / RF Control Split Mount (ISM/OSM) Roller Shade Wiring Diagram

Scale: NTS

By: MJW

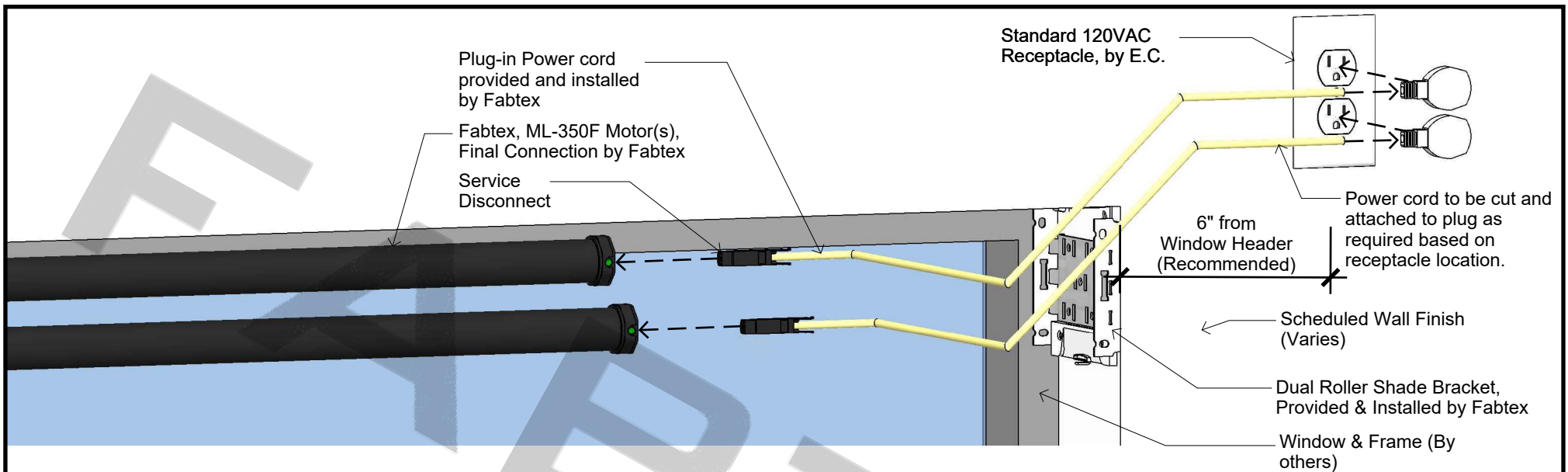
Date:

10/15/19  
Rev: 01/01/22

**CONFIDENTIAL -**  
All materials disclosed in this document are proprietary to Fabtex, Inc. The holder agrees to maintain it in confidence and must not replicate or reveal this information in any manner.



**PRODUCT DISCLAIMER -** Fabtex is a manufacturer of commercial products that require installation by a licensed contractor. All information shown is for schematic purposes and to aid coordination amongst trades. All wiring, connections, means and methods is to be performed by others in strict adherence with all federal, state, and local building codes.



# Plug-In Dual Roller Shade

Scale: NTS

<b>ML-350F Motor</b>
120VAC @ 60Hz
6Nm Torque
33 RPM
0.85 Amps
102 Watts
Max. Whip Length:
8 Meters (312")
4 Meters (156")
2 Meters (78")

### General Installation Notes:

- 1) The ML-350F Tubular Motor provides 6Nm of power in a compact, cost effective package. Drawing power from 120VAC, the 350F accommodates two different methods of control; RF wireless and dry contact. This means the ability to use wireless wall mounted and hand-held remote options but also built-in wired Dry Contact relays which allow for 3rd party integration.
- 2) The ML-350F produces less than 40bDA and powers shades on a 2" and 2.5" tubes. Designed to be used as a plug-in device for ease of installation, the plug can be omitted for hardwired installations. Each motor comes standard cord and an adjustable right angle plug. The purpose is to allow installation crews to cut the cord to length and attach the plug end. When direct wiring is required, a local licensed electrician will be needed to terminate the connection.
- 3) Built-in service disconnect allows for service interchangeability at the motor head. Motor length will accommodate a minimum shade width of 28 inches.

**ROLLER SHADE OPERATION**  
See Attached Roller Shade Switch / Remote Option Sheet for Control Availability

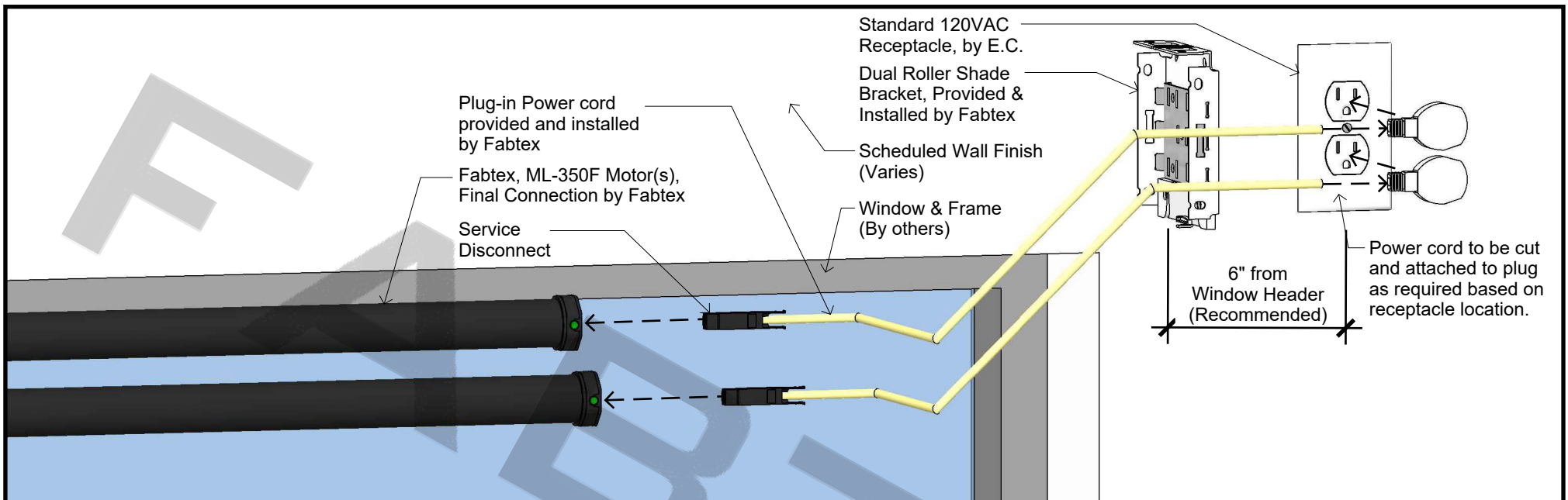
## AC Plug-In / RF Control Inside Mount Dual Roller Shade Wiring Diagram

**Scale:** NTS  
**By:** MJW  
**Date:** 10/15/19  
Rev: 01/01/22

**CONFIDENTIAL -**  
All materials disclosed in this document are proprietary to Fabtex, Inc. The holder agrees to maintain it in confidence and must not replicate or reveal this information in any manner.



**PRODUCT DISCLAIMER -** Fabtex is a manufacturer of commercial products that require installation by a licensed contractor. All information shown is for schematic purposes and to aid coordination amongst trades. All wiring, connections, means and methods is to be performed by others in strict adherence with all federal, state, and local building codes.




## Plug-In Dual Roller Shade

Scale: NTS

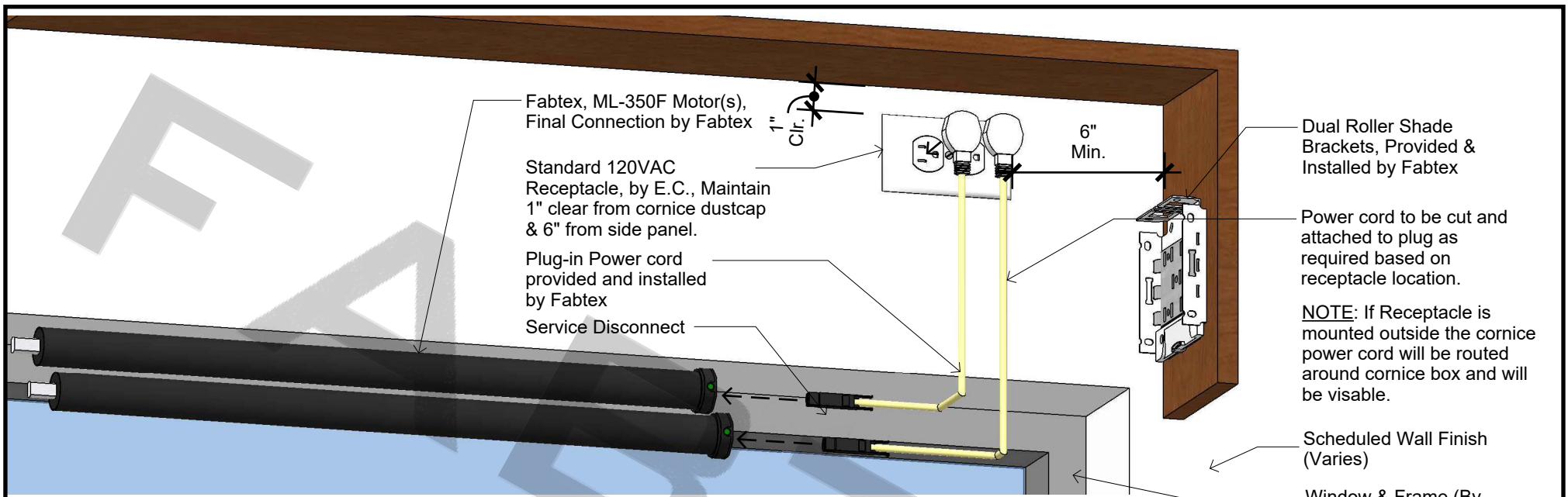
<b>ML-350F Motor</b>
120VAC @ 60Hz
6Nm Torque
33 RPM
0.85 Amps
102 Watts
Max. Whip Length:
8 Meters (312")
4 Meters (156")
2 Meters (78")

- General Installation Notes:**
- 1) The ML-350F Tubular Motor provides 6Nm of power in a compact, cost effective package. Drawing power from 120VAC, the 350F accommodates two different methods of control; RF wireless and dry contact. This means the ability to use wireless wall mounted and hand-held remote options but also built-in wired Dry Contact relays which allow for 3rd party integration.
  - 2) The ML-350F produces less than 40bDA and powers shades on a 2" and 2.5" tubes. Designed to be used as a plug-in device for ease of installation, the plug can be omitted for hardwired installations. Each motor comes standard cord and an adjustable right angle plug. The purpose is to allow installation crews to cut the cord to length and attach the plug end. When direct wiring is required, a local licensed electrician will be needed to terminate the connection.
  - 3) Built-in service disconnect allows for service interchangeability at the motor head. Motor length will accommodate a minimum shade width of 28 inches.

**ROLLER SHADE OPERATION**  
See Attached Roller Shade Switch / Remote Option Sheet for Control Availability

<b>AC Plug-In / RF Control</b>  <b>Outside Mount Dual Roller Shade Wiring Diagram</b>	<b>Scale:</b> NTS	<b>CONFIDENTIAL -</b> All materials disclosed in this document are proprietary to Fabtex, Inc. The holder agrees to maintain it in confidence and must not replicate or reveal this information in any manner.	
	<b>By:</b> MJW		
	<b>Date:</b> 10/15/19 Rev: 01/01/22		
<b>PRODUCT DISCLAIMER -</b> Fabtex is a manufacturer of commercial products that require installation by a licensed contractor. All information shown is for schematic purposes and to aid coordination amongst trades. All wiring, connections, means and methods is to be performed by others in strict adherence with all federal, state, and local building codes.			





## Plug-In Dual Roller Shade

Scale: NTS

### ML-350F Motor

120VAC @ 60Hz

6Nm Torque

33 RPM

0.85 Amps

102 Watts

Max. Whip Length:

8 Meters (312")

4 Meters (156")

2 Meters (78")

### General Installation Notes:

- 1) The ML-350F Tubular Motor provides 6Nm of power in a compact, cost effective package. Drawing power from 120VAC, the 350F accommodates two different methods of control; RF wireless and dry contact. This means the ability to use wireless wall mounted and hand-held remote options but also built-in wired Dry Contact relays which allow for 3rd party integration.
- 2) The ML-350F produces less than 40bDA and powers shades on a 2" and 2.5" tubes. Designed to be used as a plug-in device for ease of installation, the plug can be omitted for hardwired installations. Each motor comes standard cord and an adjustable right angle plug. The purpose is to allow installation crews to cut the cord to length and attach the plug end. When direct wiring is required, a local licensed electrician will be needed to terminate the connection.
- 3) Built-in service disconnect allows for service interchangeability at the motor head. Motor length will accommodate a minimum shade width of 28 inches.

### ROLLER SHADE OPERATION

See Attached Roller Shade Switch / Remote Option Sheet for Control Availability

### AC Plug-In / RF Control

### Dual Roller Shade into Cornice Wiring Diagram

Scale: NTS

By: MJW

Date:

10/15/19

Rev: 01/01/22

### CONFIDENTIAL -

All materials disclosed in this document are proprietary to Fabtex, Inc. The holder agrees to maintain it in confidence and must not replicate or reveal this information in any manner.

**PRODUCT DISCLAIMER -** Fabtex is a manufacturer of commercial products that require installation by a licensed contractor. All information shown is for schematic purposes and to aid coordination amongst trades. All wiring, connections, means and methods is to be performed by others in strict adherence with all federal, state, and local building codes.

