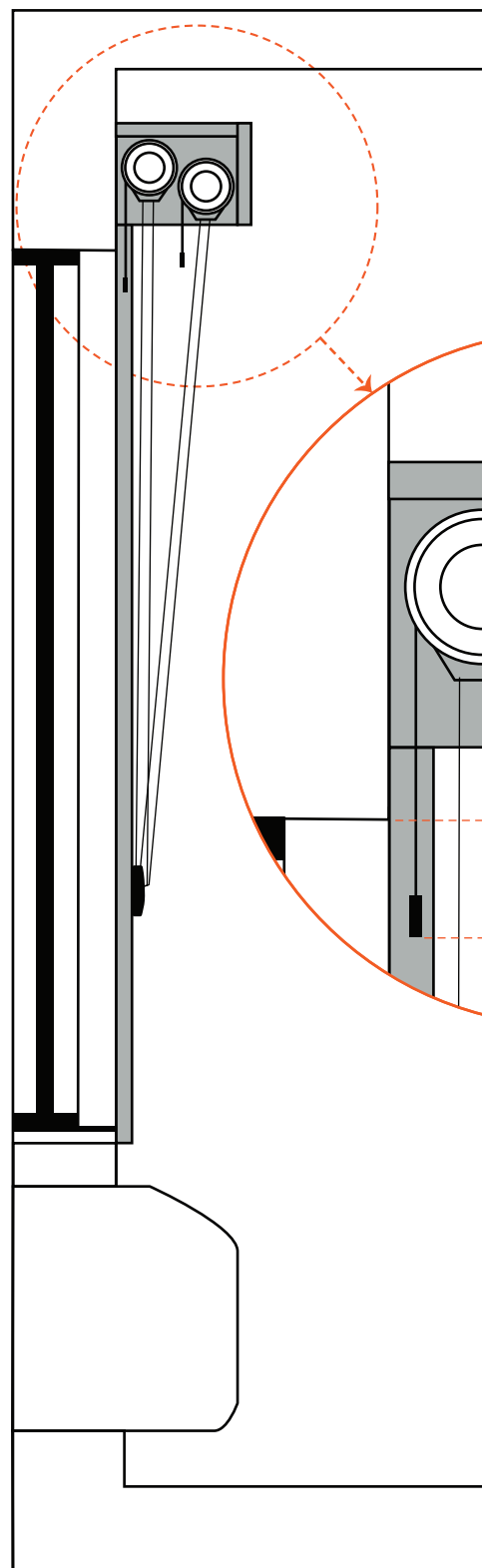


SECTION



2" Sheer shade drop from cornice to make it more visible

2" BO shade drop from window jamb to prevent dislodgement from side channels & conceal the window jamb

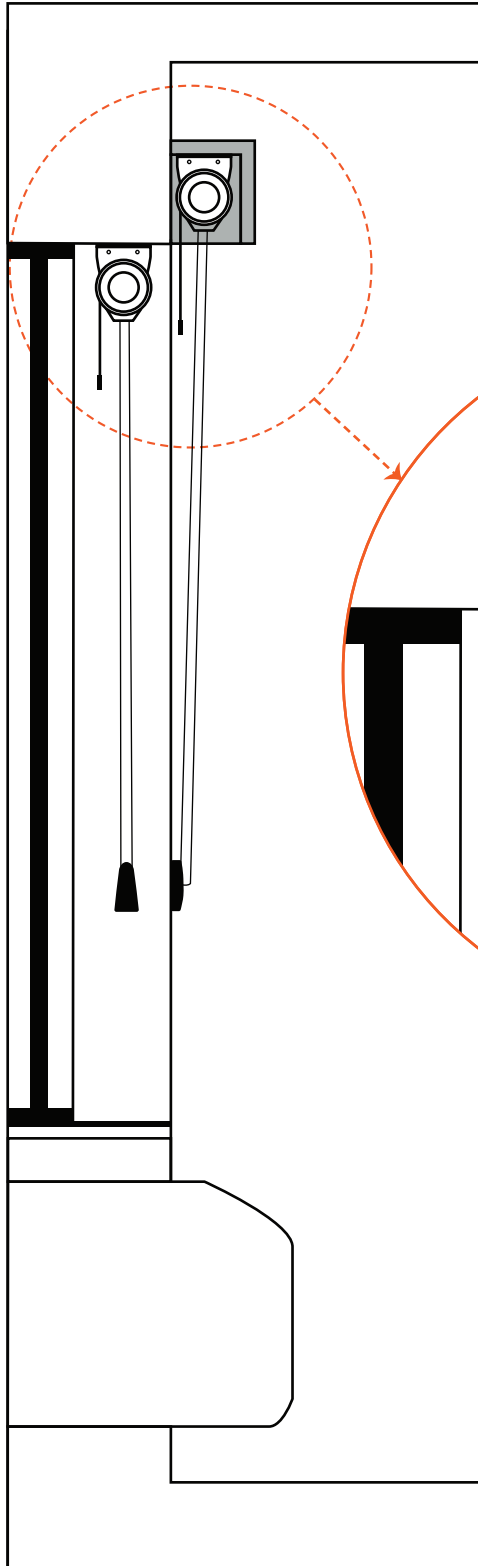
ROLLER SHADE
UPPER LIMITS FOR DUAL SHADE **OUTSIDE MOUNT**

Scale: NTS



August 1, 2024

SECTION



4" BO shade drop from window jamb to conceal sheer shade hardware

2" Sheer shade drop from BO shade's upper limit to make it more visible

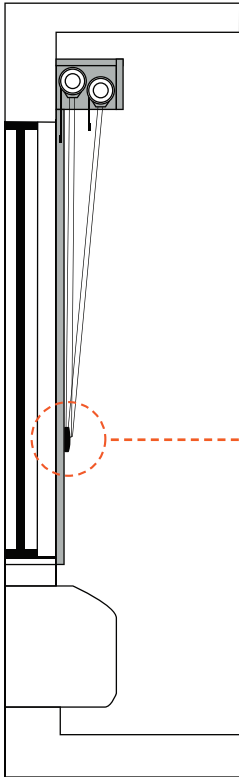
**ROLLER SHADE
UPPER LIMITS FOR DUAL SHADE SPLIT MOUNT**

Scale: NTS

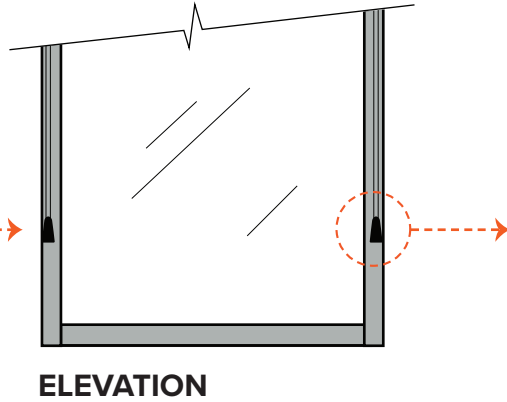


August 1, 2024

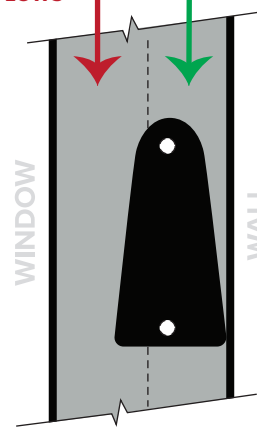
SECTION



OUTSIDE MOUNT
Chainhold mounted on side channel

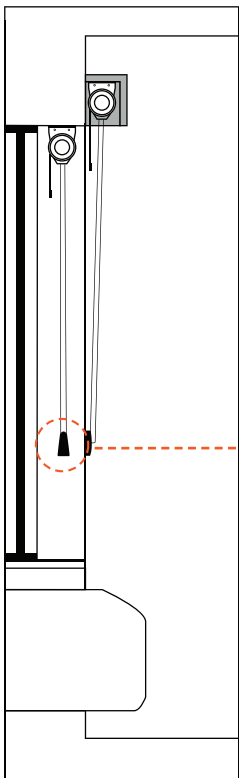


DON'T MOUNT
WHERE SHADE
FLOWS



Install chainhold
as far away from
the window as
possible
so the mounting
screws will not
impede the flow of
the shade

CHANNEL DETAIL



INSIDE MOUNT
Chainhold mounted on wall



For ALL types of
installation...

The chainhold **must**
maintain tension (i.e. pulled
down tightly).

If there is slack in the
chain, the chainhold will
lock and become
inoperable.

ROLLER SHADE
CHAINHOLD TENSION DEVICE MOUNTING

Scale: NTS



August 1, 2024