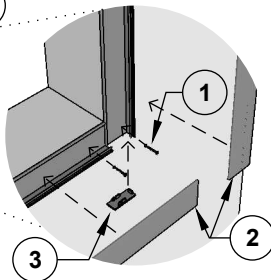
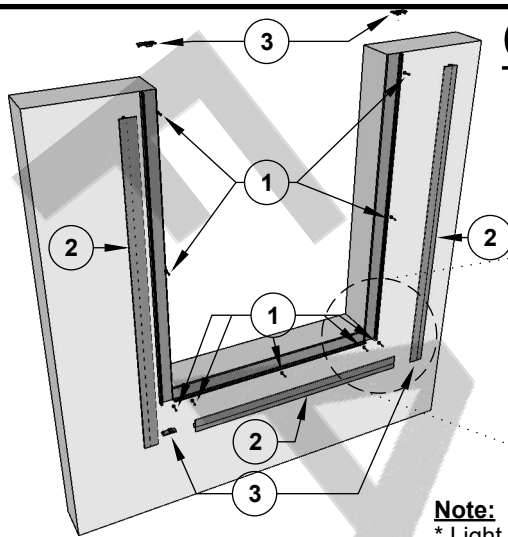


Outside Mount

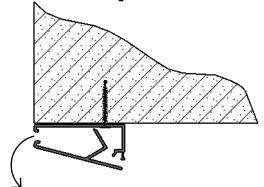
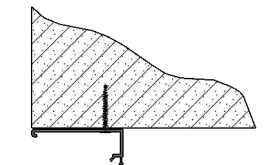


Note:
* Light seal brush on front edge of channel only.

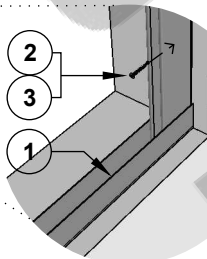
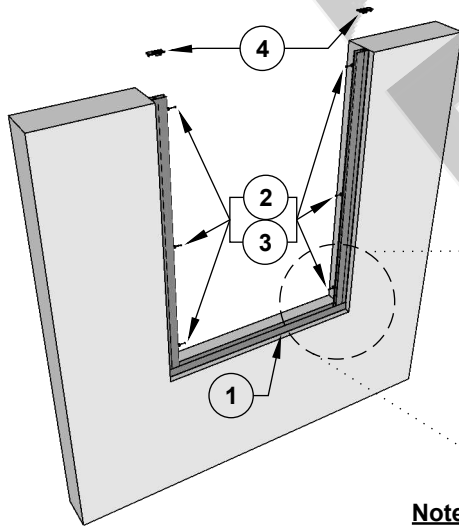
STEP #1
Use #8 (2") Phillips head screw to secure side/sill channel to wall. Minimum (3) per channel, spacing not to exceed 18" o.c.

STEP #2
Snap face channel into slot as shown.

STEP #3
Install top and bottom channel caps. Glue in place if necessary.



Inside Mount



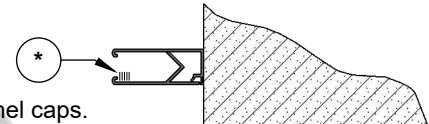
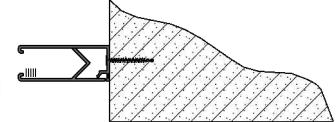
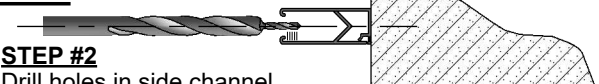
Note:
* Light seal brush on front edge of channel only.

STEP #1
Attach U-channel to sill with industrial grade double sided tape, by 3M or equal for stone / laminate sill. Use #8, 2" wood screw for wood sill.

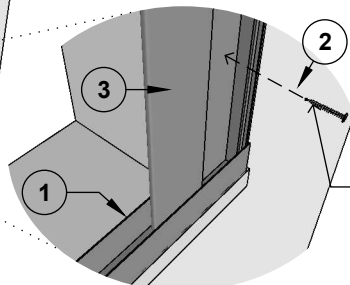
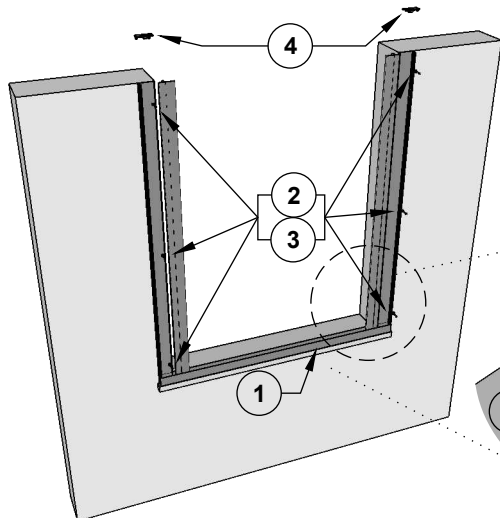
STEP #2
Drill holes in side channel with stepped drill bit. Min. (3) per channel, spacing not to exceed 18" o.c.

STEP #3
Use #8 (2") Phillips head screw to secure side channel to jamb.

STEP #4
Install top channel caps. Glue in place if necessary.



Projected Window Sill Condition



GENERAL NOTE: Installer to pre-drill all holes as required. Recommended screw size is based on typ. conditions. Size and style of screw may need adjusted to suit actual site conditions.

STEP #1
Attach U-channel to sill with industrial grade double sided tape, by 3M or equal for stone / laminate sill. Use #8, 2" wood screw for wood sill.

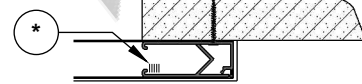
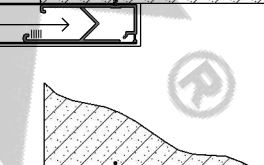
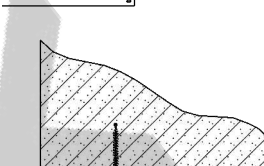
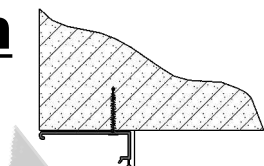
STEP #2
Use #8 (2") Phillips head screw to secure side channel to wall. Minimum (3) per channel, spacing not to exceed 18" o.c.

STEP #3
Snap face channel into slot as shown.

STEP #4
Install top channel caps. Glue in place if necessary.

Hold first screw 6" up from bottom of sill

Note:
* Light seal brush on front edge of channel only



Side & Sill Channel Installation Guide

Date:
Rev: 01/01/22
11/21/19

PRODUCT DISCLAIMER - Fabtex is a manufacturer of commercial products that require installation by a licensed contractor. All information shown is for schematic purposes and to aid coordination amongst trades. All wiring, connections, means and methods is to be performed by others in strict adherence with all federal, state, and local building codes.

CONFIDENTIAL -
All materials disclosed in this document are proprietary to Fabtex, Inc. The holder agrees to maintain it in confidence and must not replicate or reveal this information in any manner.

