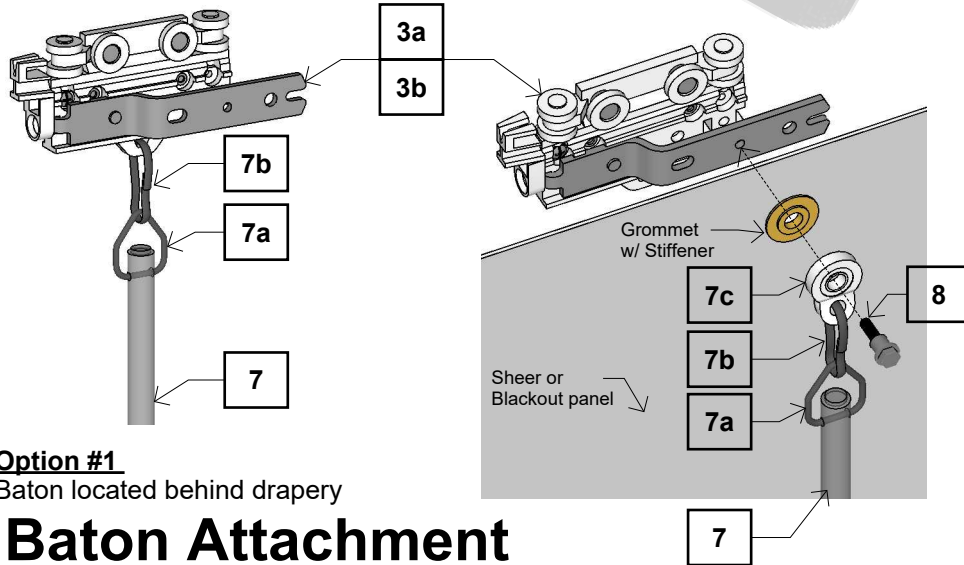


Center Draw Hardware

Scale: NTS

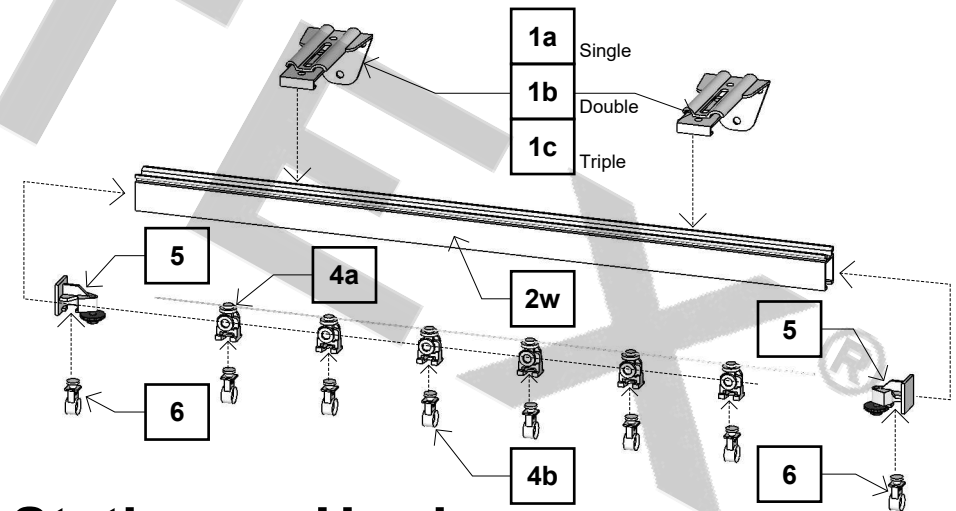


Option #1
Baton located behind drapery

Baton Attachment

Scale: NTS

Option #2 - Baton located in front of drapery



Stationary Hardware

Scale: NTS

FOR INTERNAL USE ONLY

Wall Mounted Ripplefold Drapery Hardware Exploded View Parts Diagram

PRODUCT DISCLAIMER - Fabtex is a manufacturer of commercial products that require installation by a licensed contractor. All information shown is for schematic purposes and to aid coordination amongst trades. All wiring, connections, means and methods is to be performed by others in strict adherence with all federal, state, and local building codes.

Date:

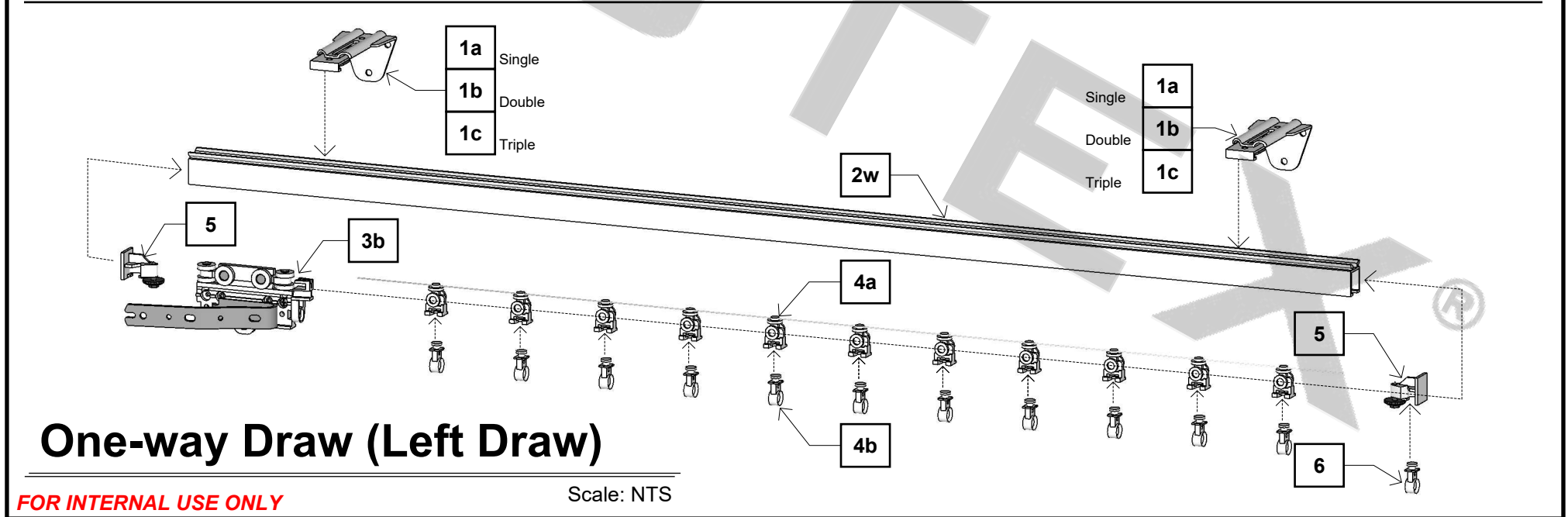
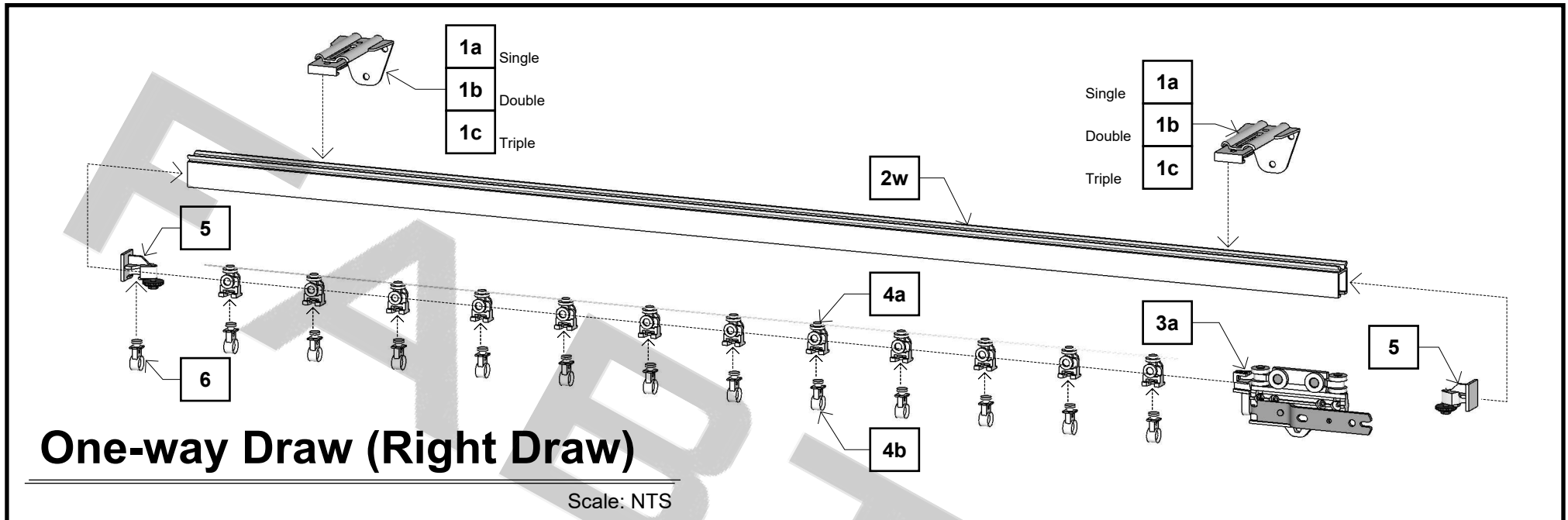
11/03/2022

Scale: NTS

By: MJW

CONFIDENTIAL - All materials disclosed in this document are proprietary to Fabtex, Inc. The holder agrees to maintain it in confidence and must not replicate or reveal this information in any manner.





FOR INTERNAL USE ONLY

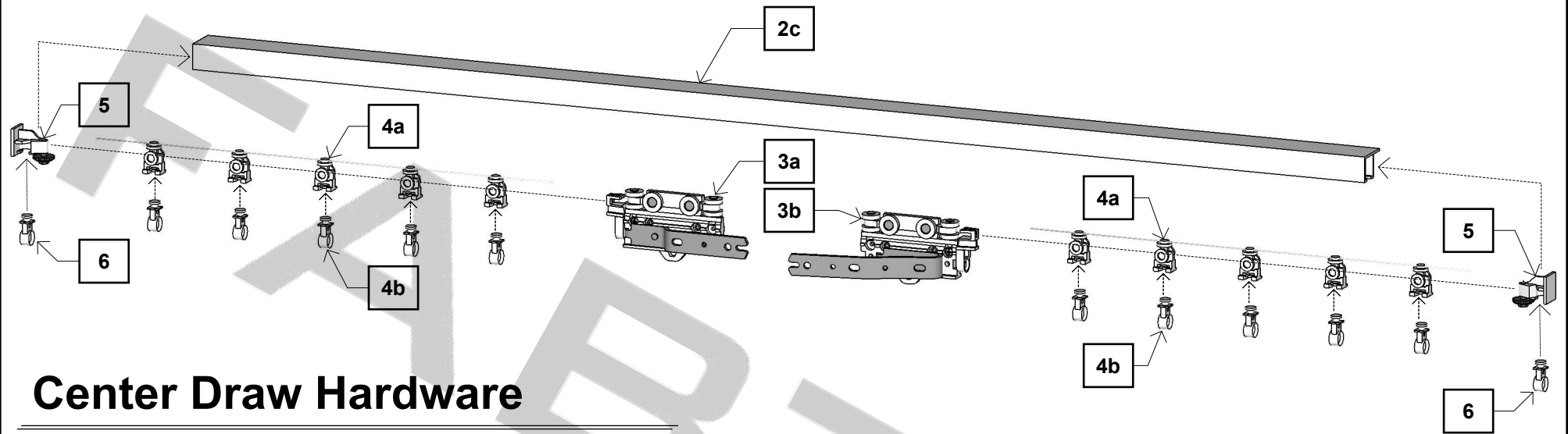
**Wall Mounted Ripplefold Drapery Hardware
Exploded View Parts Diagram**

PRODUCT DISCLAIMER - Fabtex is a manufacturer of commercial products that require installation by a licensed contractor. All information shown is for schematic purposes and to aid coordination amongst trades. All wiring, connections, means and methods is to be performed by others in strict adherence with all federal, state, and local building codes.

Date:
11/03/2022
Scale: NTS
By: MJW

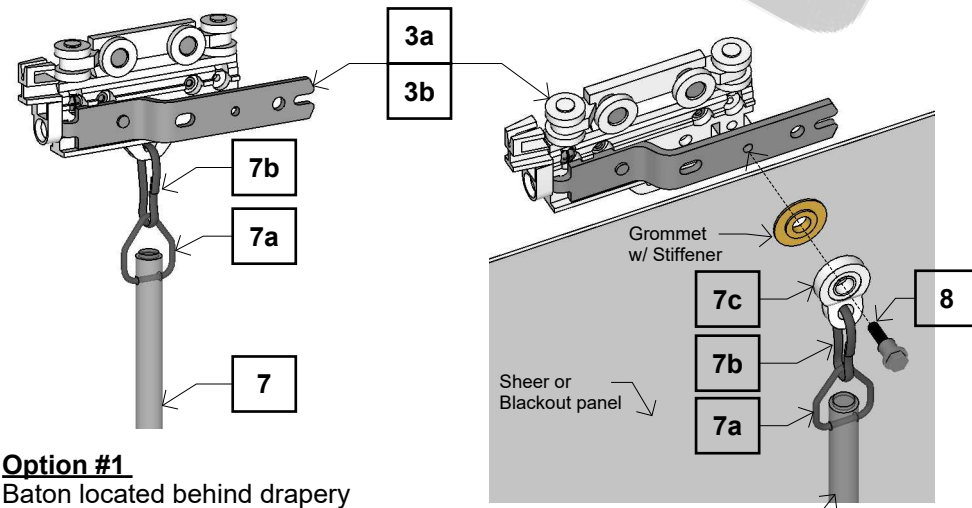
CONFIDENTIAL - All materials disclosed in this document are proprietary to Fabtex, Inc. The holder agrees to maintain it in confidence and must not replicate or reveal this information in any manner.





Center Draw Hardware

Scale: NTS

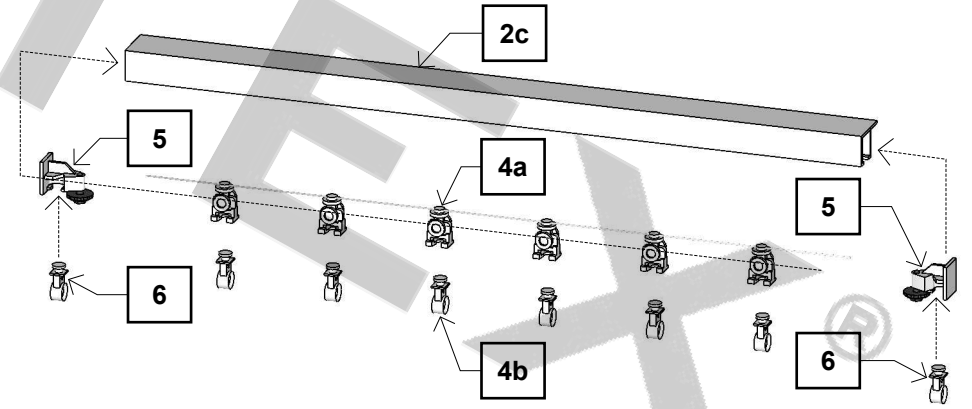


Option #1
Baton located behind drapery

Baton Attachment

Scale: NTS

Option #2 - Baton located in front of drapery



Stationary Hardware

Scale: NTS

FOR INTERNAL USE ONLY

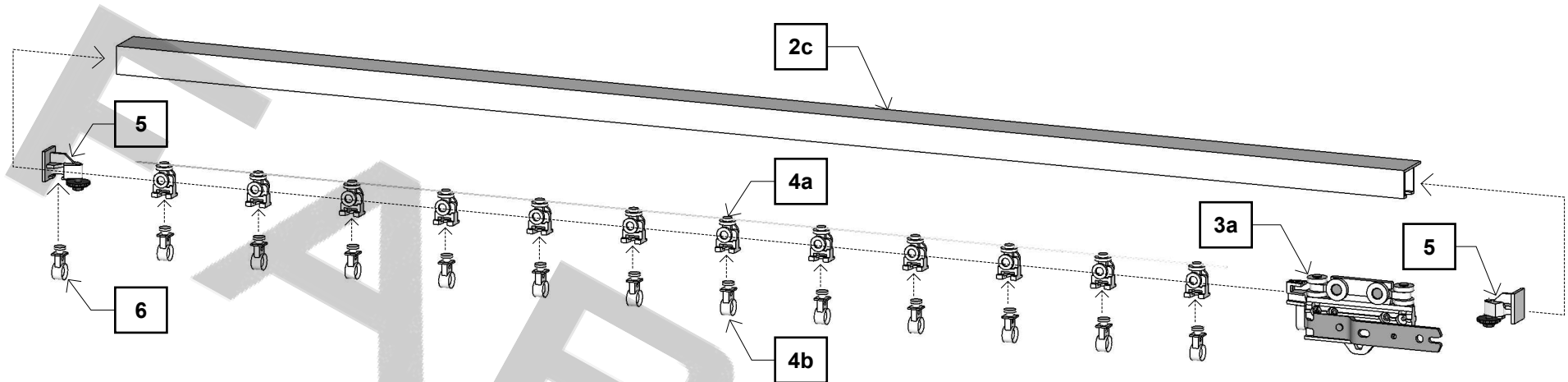
Ceiling Mounted Ripplefold Drapery Hardware Exploded View Parts Diagram

PRODUCT DISCLAIMER - Fabtex is a manufacturer of commercial products that require installation by a licensed contractor. All information shown is for schematic purposes and to aid coordination amongst trades. All wiring, connections, means and methods is to be performed by others in strict adherence with all federal, state, and local building codes.

Date:
11/03/2022
Scale: NTS
By: MJW

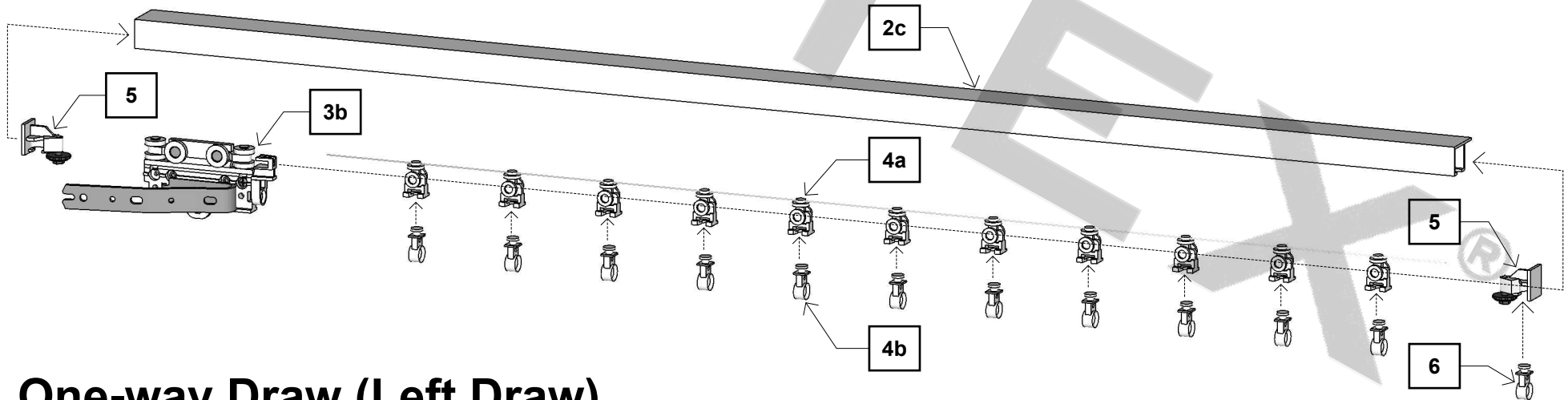
CONFIDENTIAL - All materials disclosed in this document are proprietary to Fabtex, Inc. The holder agrees to maintain it in confidence and must not replicate or reveal this information in any manner.





One-way Draw (Right Draw)

Scale: NTS



One-way Draw (Left Draw)

Scale: NTS

FOR INTERNAL USE ONLY

Ceiling Mounted Ripplefold Drapery Hardware Exploded View Parts Diagram

PRODUCT DISCLAIMER - Fabtex is a manufacturer of commercial products that require installation by a licensed contractor. All information shown is for schematic purposes and to aid coordination amongst trades. All wiring, connections, means and methods is to be performed by others in strict adherence with all federal, state, and local building codes.

Date:

11/03/2022

Scale: NTS

By: MJW

CONFIDENTIAL - All materials disclosed in this document are proprietary to Fabtex, Inc. The holder agrees to maintain it in confidence and must not replicate or reveal this information in any manner.



ITEM DESCRIPTION			AVAILABLE COLORS				PRICING	
TAG	DESCRIPTION	SKU#	White	Black	Anodize	Bronze	Price	Unit
1a	Wall Bracket - Single	US-20-2113	X	X (BK)		X (BR)		
1b	Wall Bracket - Double	US-20-2116	X	X (BK)		X (BR)		
1c	Wall Bracket - Triple	US-20-2118						
2w	Drapery Track (Wall)	AW-20	X	X (BK)	X (A)	X (BZ)		
2c	Drapery Track (Ceiling)	AC-20	X	X (BK)	X (A)	X (BZ)		
3a	Master Carrier (Left)	MR-48-306	X	X		X		
3b	Master Carrier (Right)	MR-48-305	X	X		X		
4a	Rolling Ripplefold Carrier - 60% Fullness	WR-20-6000	X	X (BK)		X (BZ)		
	Rolling Ripplefold Carrier - 80% Fullness	WR-20-8000	X	X (BK)		X (BZ)		
	Rolling Ripplefold Carrier - 100% Fullness	WR-20-1000	X	X (BK)		X (BZ)		
	Rolling Ripplefold Carrier - 120% Fullness	WR-20-1200	X	X (BK)		X (BZ)		
4b	Ripplefold Pendant (Long)	SN-40-2000	X (W)	X (B)		X (BZ)		
	Ripplefold Pendant (Short)	SN-40-1000						
5	Ripplefold End Cap	EC-20-9141	X (W)	X (BK)		X (BZ)		
6	-- Not Used --							
7	36" Long Baton - White	8000-BW36B						
	36" Long Baton - Clear	8300-BC36A						
	48" Long Baton - White	8000-BW48B						
	48" Long Baton - Clear	CST-SAD-5048						
	60" Long Baton - White	8000-BW60B						
	60" Long Baton - Clear	60S12SS						
	48" Long ADA Baton w/ loop - White	FHB-AS-4800						
	48" Long ADA Baton w/ loop - Clear	HBA-4800						
	60" Long ADA Baton w/ loop - White	FHP-AS-6000						
60" Long ADA Baton w/ loop - Clear	HBA-6000							
7a	Baton D-Ring	DR-20-220						
7b	Baton Snap Hook	CSK-RH-3403						
7c	Baton Adaptor	BH-20-218						
8	Shoulder Screw (Long)	HS-20-289						
	Shoulder Screw (Short)	HS-20-219						

FOR INTERNAL USE ONLY

Ripplefold Drapery Hardware Parts & Pricing Lists

Date:

11/03/2022

Scale: NTS

By: MJW

CONFIDENTIAL -
All materials disclosed in this document are proprietary to Fabtex, Inc. The holder agrees to maintain it in confidence and must not replicate or reveal this information in any manner.

PRODUCT DISCLAIMER - Fabtex is a manufacturer of commercial products that require installation by a licensed contractor. All information shown is for schematic purposes and to aid coordination amongst trades. All wiring, connections, means and methods is to be performed by others in strict adherence with all federal, state, and local building codes.

