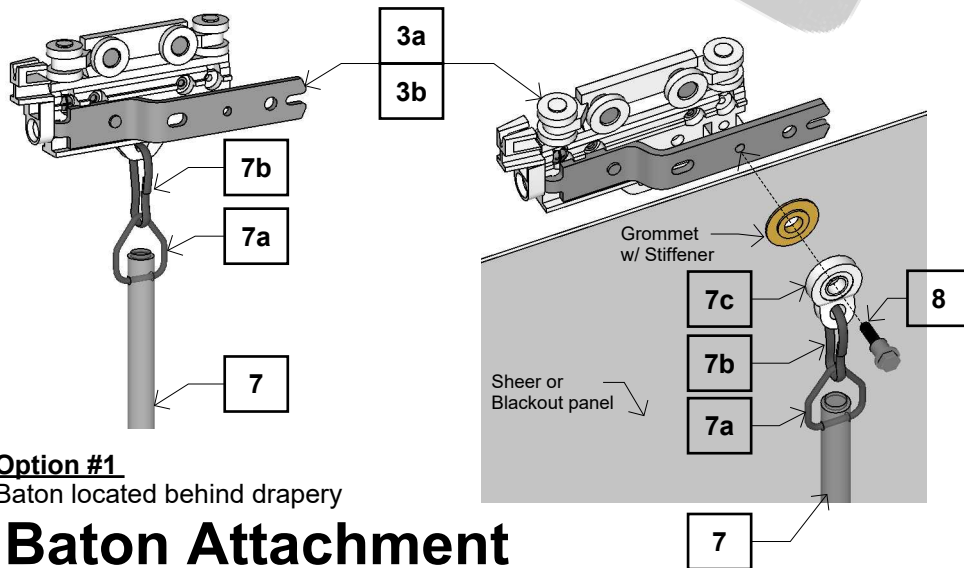


## Center Draw Hardware

Scale: NTS

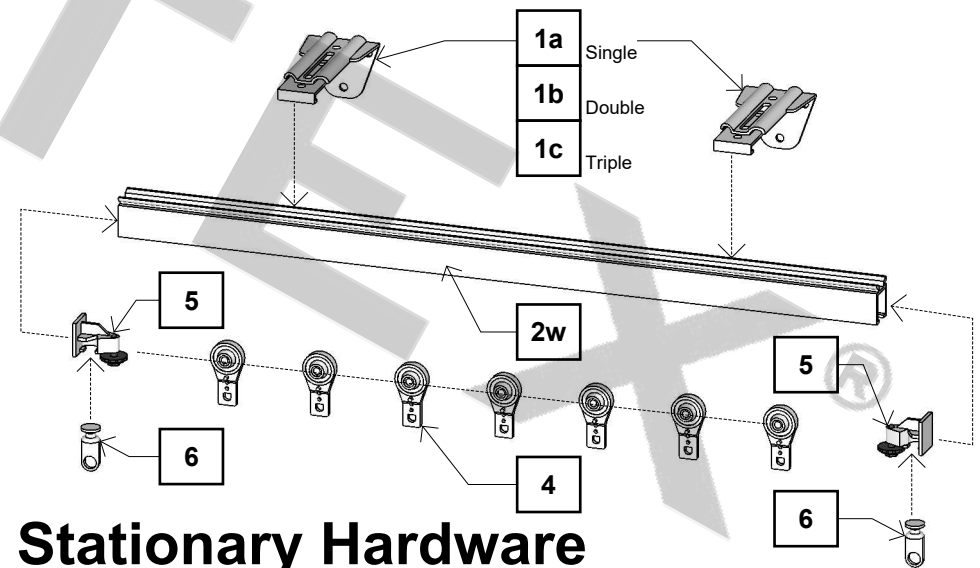


**Option #1**  
Baton located behind drapery

## Baton Attachment

Scale: NTS

**Option #2** - Baton located  
in front of drapery



## Stationary Hardware

Scale: NTS

**FOR INTERNAL USE ONLY**

### Wall Mounted Pinch Pleated Drapery Hardware Exploded View Parts Diagram

**PRODUCT DISCLAIMER** - Fabtex is a manufacturer of commercial products that require installation by a licensed contractor. All information shown is for schematic purposes and to aid coordination amongst trades. All wiring, connections, means and methods is to be performed by others in strict adherence with all federal, state, and local building codes.

**Date:**

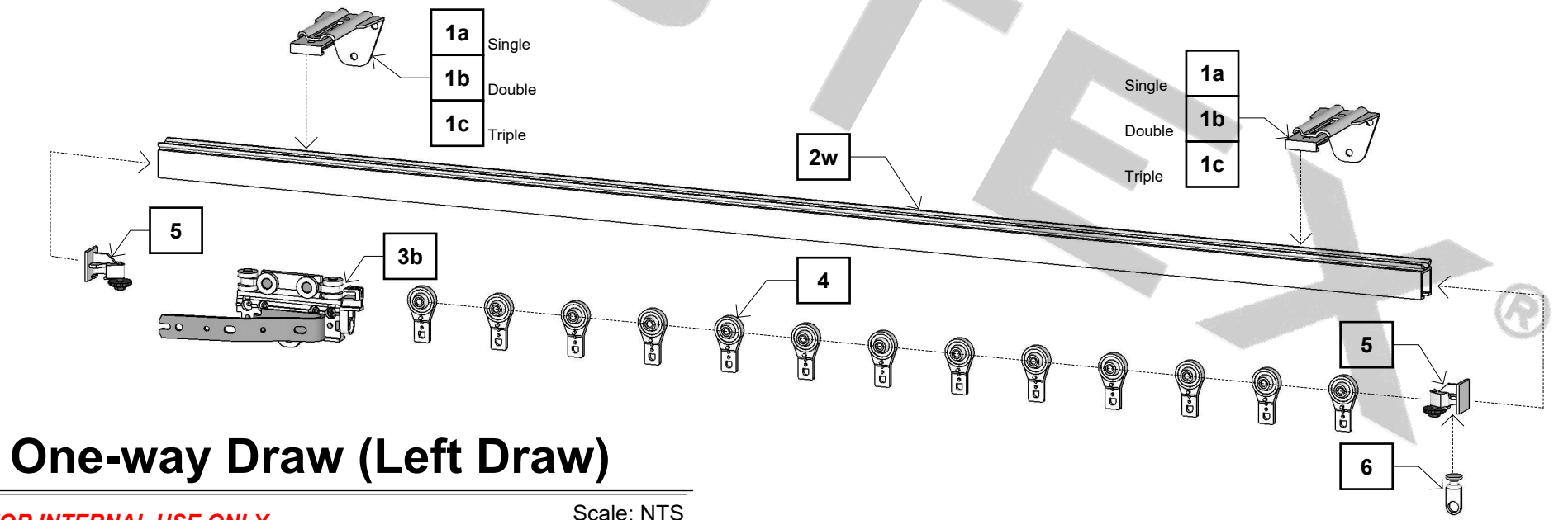
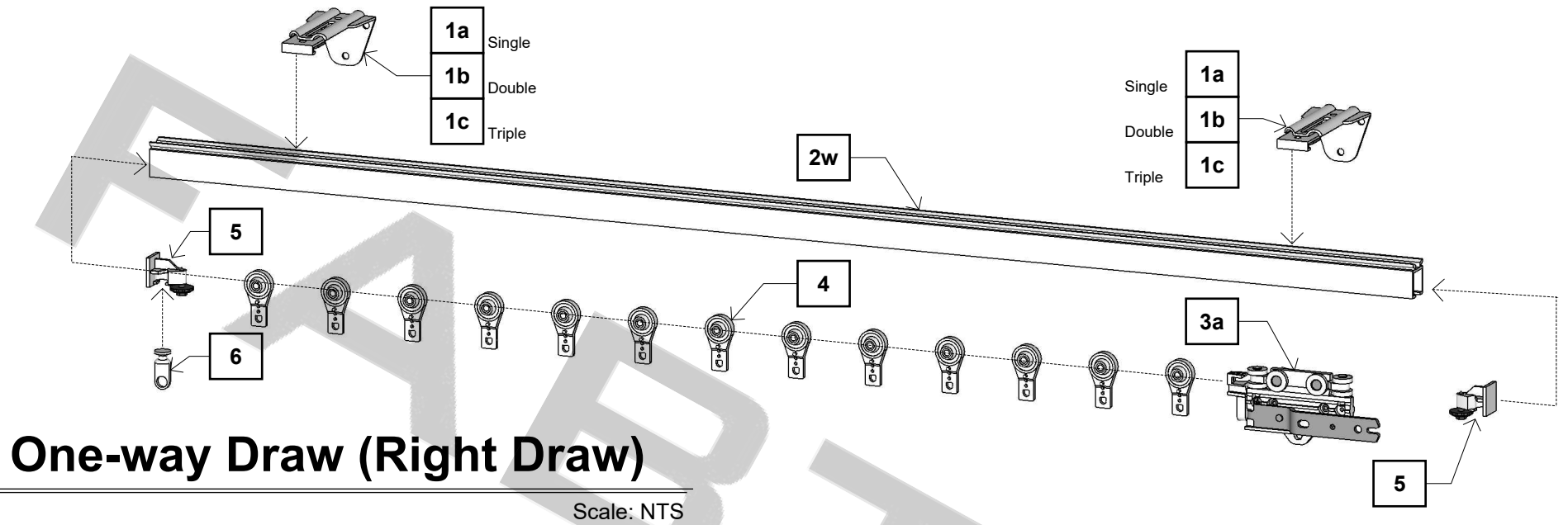
11/03/2022

**Scale:** NTS

**By:** MJW

**CONFIDENTIAL** - All materials disclosed in this document are proprietary to Fabtex, Inc. The holder agrees to maintain it in confidence and must not replicate or reveal this information in any manner.





**FOR INTERNAL USE ONLY**

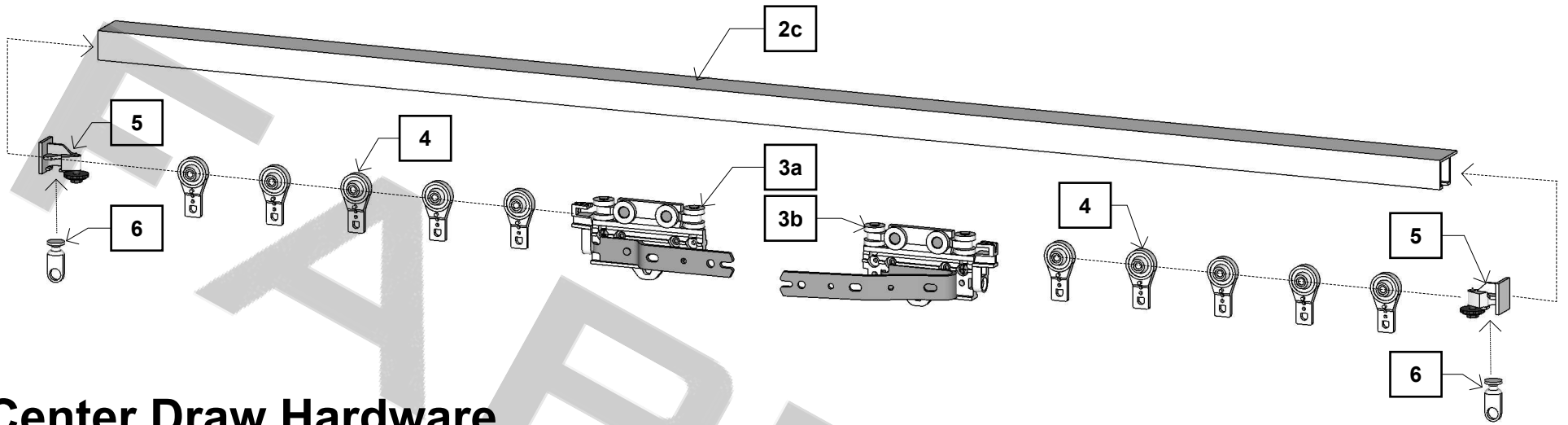
**Wall Mounted Pinch Pleated Drapery Hardware  
Exploded View Parts Diagram**

**PRODUCT DISCLAIMER -** Fabtex is a manufacturer of commercial products that require installation by a licensed contractor. All information shown is for schematic purposes and to aid coordination amongst trades. All wiring, connections, means and methods is to be performed by others in strict adherence with all federal, state, and local building codes.

**Date:**  
11/03/2022  
**Scale:** NTS  
**By:** MJW

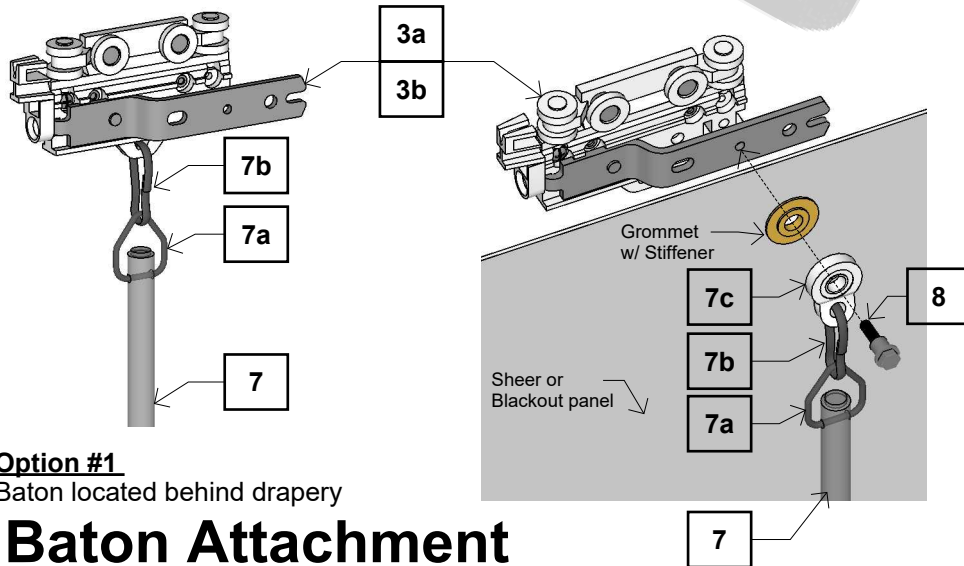
**CONFIDENTIAL -**  
All materials disclosed in this document are proprietary to Fabtex, Inc. The holder agrees to maintain it in confidence and must not replicate or reveal this information in any manner.





## Center Draw Hardware

Scale: NTS

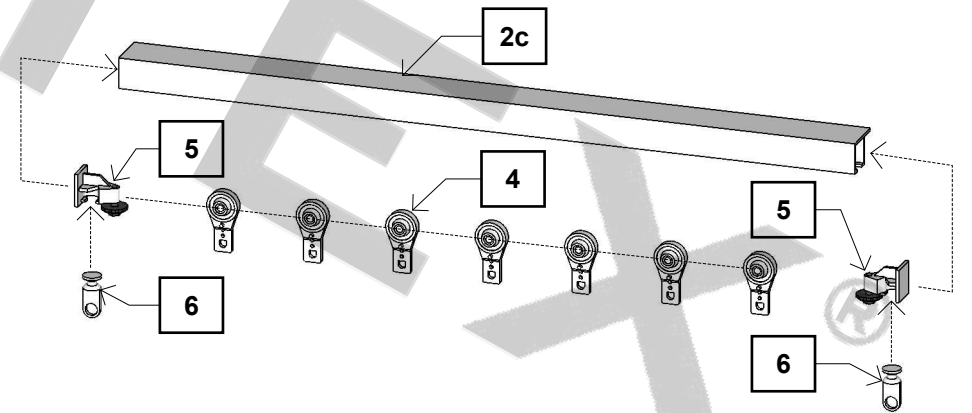


**Option #1**  
Baton located behind drapery

## Baton Attachment

Scale: NTS

**Option #2** - Baton located in front of drapery



## Stationary Hardware

Scale: NTS

**FOR INTERNAL USE ONLY**

### Ceiling Mounted Pinch Pleated Drapery Hardware Exploded View Parts Diagram

**PRODUCT DISCLAIMER** - Fabtex is a manufacturer of commercial products that require installation by a licensed contractor. All information shown is for schematic purposes and to aid coordination amongst trades. All wiring, connections, means and methods is to be performed by others in strict adherence with all federal, state, and local building codes.

**Date:**

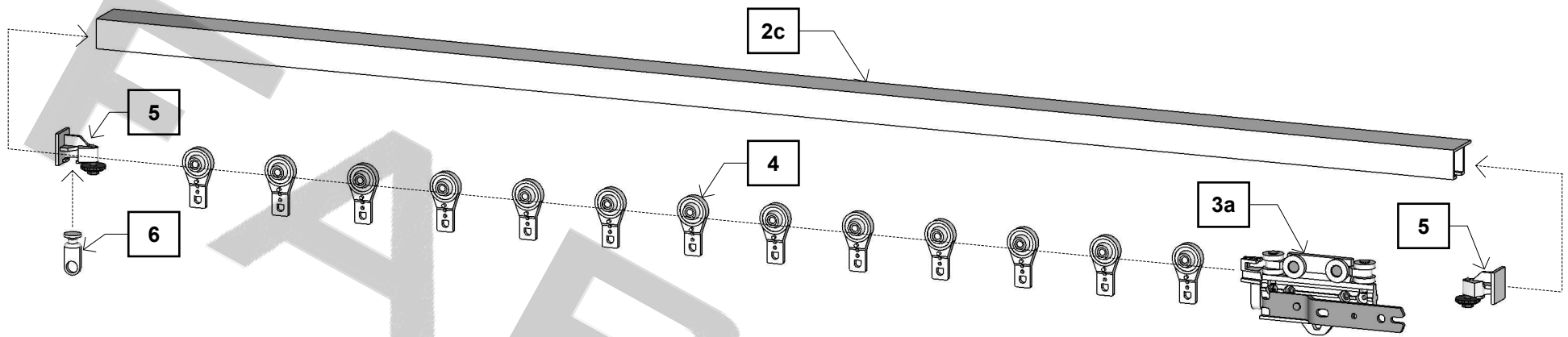
11/03/2022

**Scale:** NTS

**By:** MJW

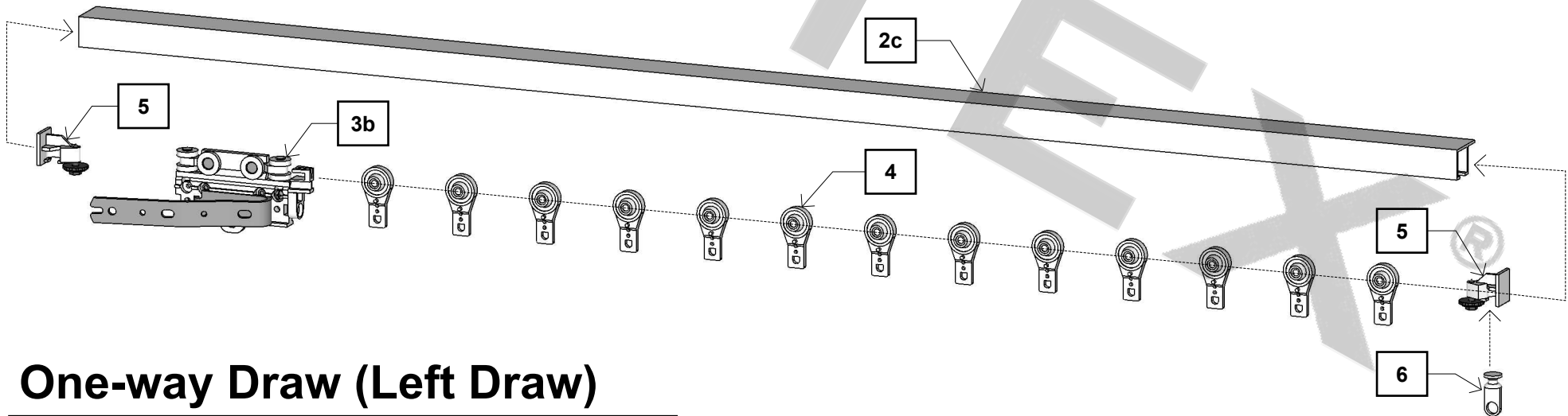
**CONFIDENTIAL** - All materials disclosed in this document are proprietary to Fabtex, Inc. The holder agrees to maintain it in confidence and must not replicate or reveal this information in any manner.





## One-way Draw (Right Draw)

Scale: NTS



## One-way Draw (Left Draw)

Scale: NTS

**FOR INTERNAL USE ONLY**

### Ceiling Mounted Pinch Pleated Drapery Hardware Exploded View Parts Diagram

**PRODUCT DISCLAIMER** - Fabtex is a manufacturer of commercial products that require installation by a licensed contractor. All information shown is for schematic purposes and to aid coordination amongst trades. All wiring, connections, means and methods is to be performed by others in strict adherence with all federal, state, and local building codes.

**Date:**

11/03/2022

**Scale:** NTS

**By:** MJW

**CONFIDENTIAL** - All materials disclosed in this document are proprietary to Fabtex, Inc. The holder agrees to maintain it in confidence and must not replicate or reveal this information in any manner.



ITEM DESCRIPTION			AVAILABLE COLORS				PRICING	
TAG	DESCRIPTION	SKU#	White	Black	Anodize	Bronze	Price	Unit
1a	Wall Bracket - Single	US-20-2113	X	X (BK)		X (BR)		
1b	Wall Bracket - Double	US-20-2116	X	X (BK)		X (BR)		
1c	Wall Bracket - Triple	US-20-2118						
2w	Drapery Track (Wall)	AW-20	X	X (BK)	X (A)	X (BZ)		
2c	Drapery Track (Ceiling)	AC-20	X	X (BK)	X (A)	X (BZ)		
3a	Master Carrier (Left)	MR-48-306	X	X		X		
3b	Master Carrier (Right)	MR-48-305	X	X		X		
4	1/2" Mini Ball Bearing Carrier	WC-20-9678	X	X (BK)		X (BZ)		
5	End Cap	EC-20-9141	X	X (BK)		X (BZ)		
6	Friction Carrier	WR-50-1001	X					
7	36" Long Baton - White	8000-BW36B						
	36" Long Baton - Clear	8300-BC36A						
	48" Long Baton - White	8000-BW48B						
	48" Long Baton - Clear	CST-SAD-5048						
	60" Long Baton - White	8000-BW60B						
	60" Long Baton - Clear	60S12SS						
	48" Long ADA Baton w/ loop - White	FHB-AS-4800						
	48" Long ADA Baton w/ loop - Clear	HBA-4800						
	60" Long ADA Baton w/ loop - White	FHP-AS-6000						
60" Long ADA Baton w/ loop - Clear	HBA-6000							
7a	Baton D-Ring	DR-20-220						
7b	Baton Snap Hook	CSK-RH-3403						
7c	Baton Adaptor	BH-20-218						
8	Shoulder Screw (Long)	HS-20-289						
	Shoulder Screw (Short)	HS-20-219						

**FOR INTERNAL USE ONLY**

**Pinch Pleat Drapery Hardware  
Parts & Pricing Lists**

**Date:**

11/03/2022

**Scale:** NTS

**By:** MJW

**CONFIDENTIAL -**  
All materials disclosed in this document are proprietary to Fabtex, Inc. The holder agrees to maintain it in confidence and must not replicate or reveal this information in any manner.



**PRODUCT DISCLAIMER -** Fabtex is a manufacturer of commercial products that require installation by a licensed contractor. All information shown is for schematic purposes and to aid coordination amongst trades. All wiring, connections, means and methods is to be performed by others in strict adherence with all federal, state, and local building codes.