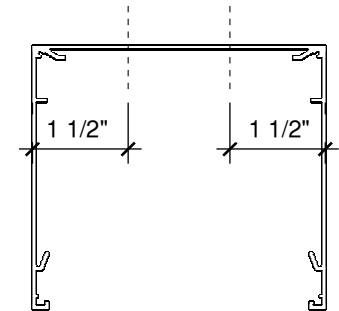
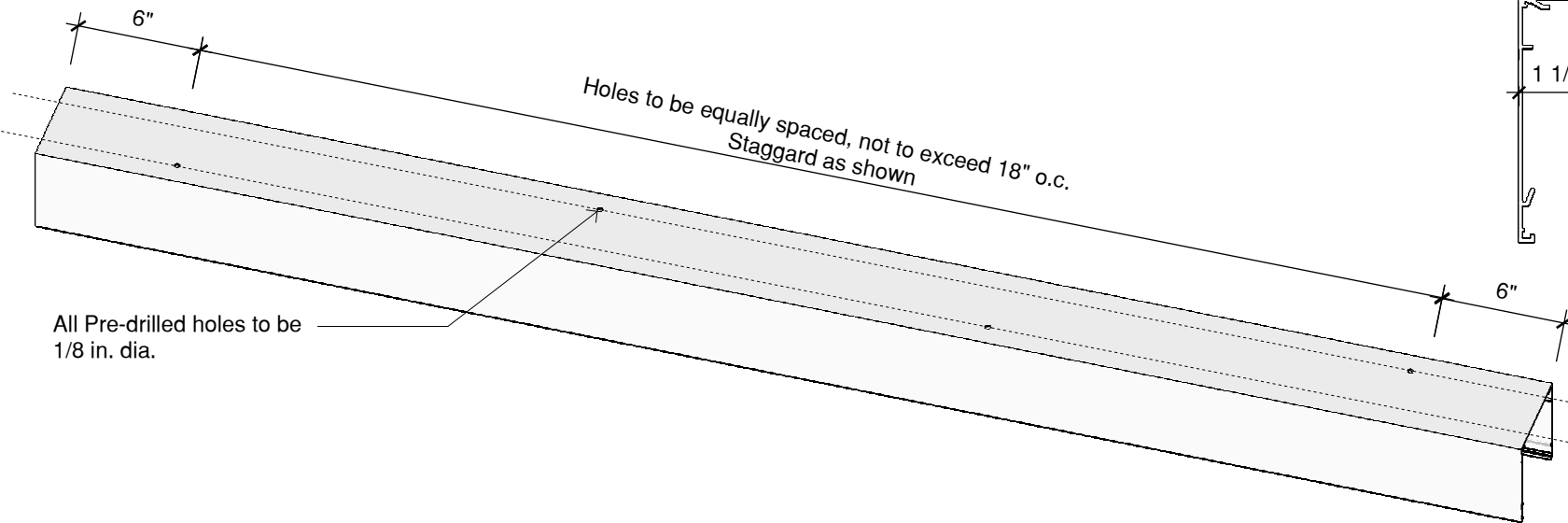


Dual Roller Shade Headbox (5x5)

Scale: NTS



Single Roller Shade Headbox (4x4)

Scale: NTS

NOTE
See Approved Fastener Sheet for all recommended fasteners.

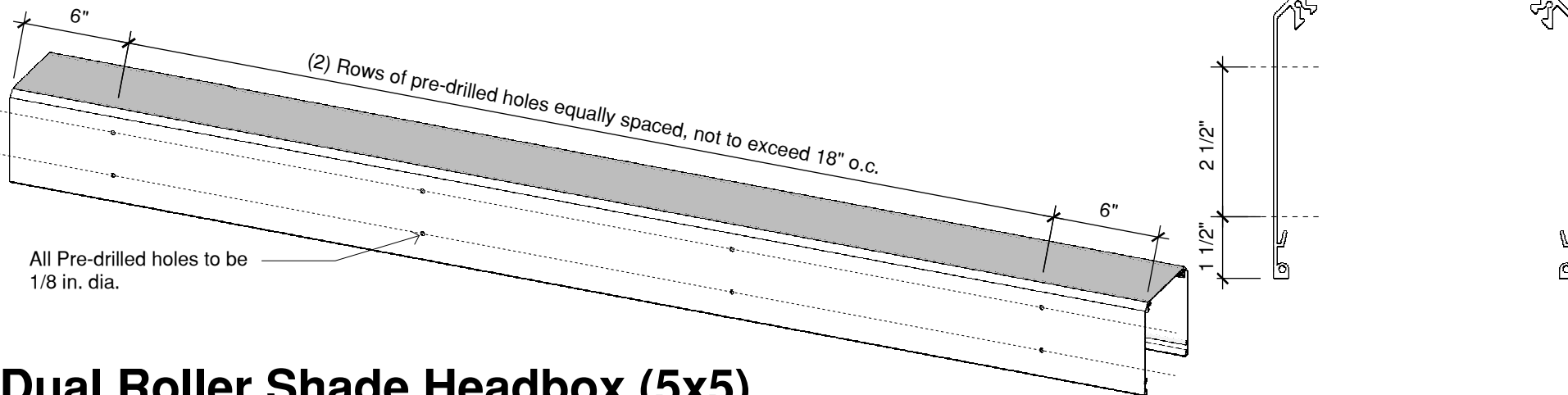
Ceiling Mounted Headbox Fastening Guidelines

PRODUCT DISCLAIMER - Fabtex is a manufacturer of commercial products that require installation by a licensed contractor. All information shown is for schematic purposes and to aid coordination amongst trades. All wiring, connections, means and methods is to be performed by others in strict adherence with all federal, state, and local building codes.

Date:
07/07/21
Scale: NTS
By: MJW

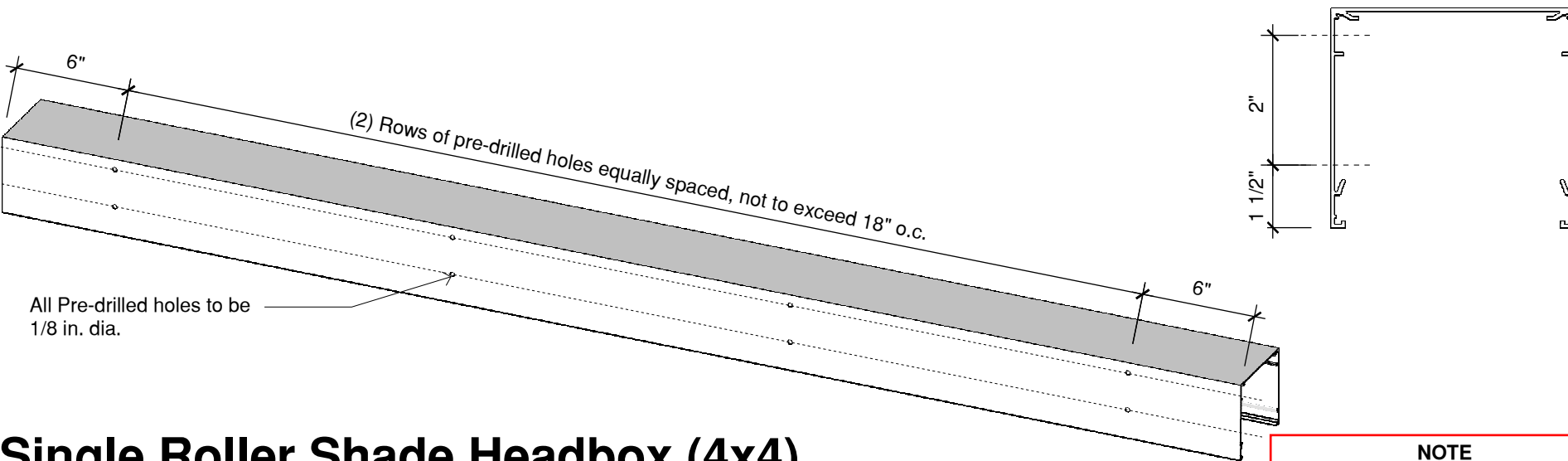
CONFIDENTIAL - All materials disclosed in this document are proprietary to Fabtex, Inc. The holder agrees to maintain it in confidence and must not replicate or reveal this information in any manner.





Dual Roller Shade Headbox (5x5)

Scale: NTS



Single Roller Shade Headbox (4x4)

Scale: NTS

NOTE
See Approved Fastener Sheet for all recommended fasteners.

Wall Mounted Headbox Fastening Guidelines

PRODUCT DISCLAIMER - Fabtex is a manufacturer of commercial products that require installation by a licensed contractor. All information shown is for schematic purposes and to aid coordination amongst trades. All wiring, connections, means and methods is to be performed by others in strict adherence with all federal, state, and local building codes.

Date:

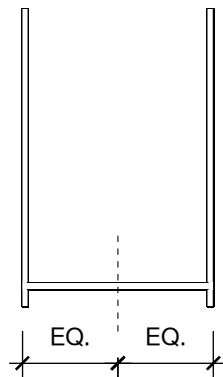
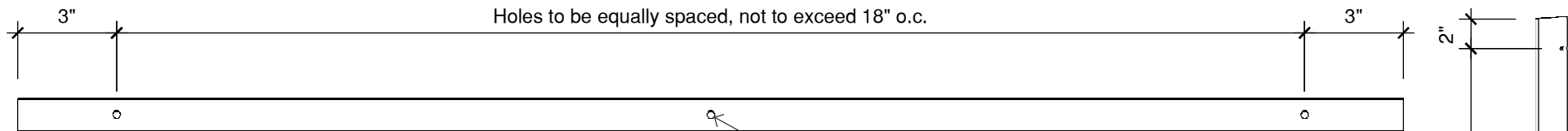
07/07/21

Scale: NTS

By: MJW

CONFIDENTIAL - All materials disclosed in this document are proprietary to Fabtex, Inc. The holder agrees to maintain it in confidence and must not replicate or reveal this information in any manner.





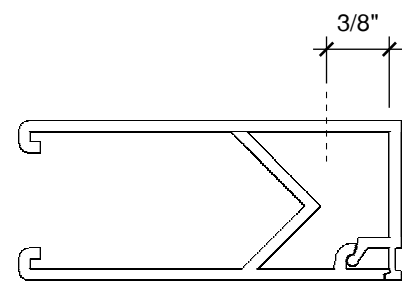
NOTE
 Mechanical fasteners should only be utilized when wood or drywall sills are used. When stone or laminate sills are used, industrial grade double sided tape, 3M or equal shall be utilized.

All Pre-drilled holes to be 1/8 in. dia.



1 Piece Sill Channel

Scale: NTS



2 Piece Side/Sill Channel

Scale: NTS

NOTE
 See Approved Fastener Sheet for all recommended fasteners.

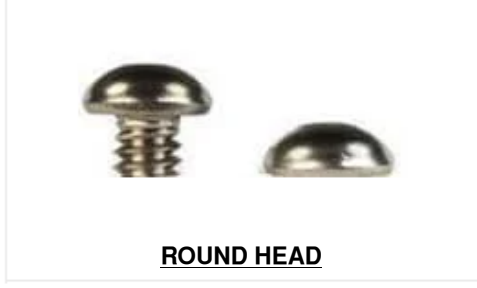
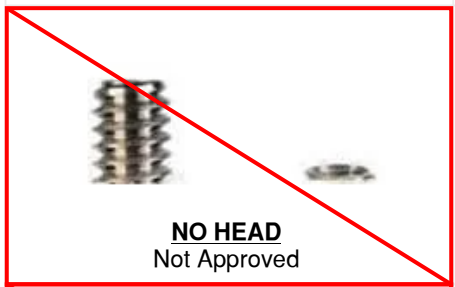
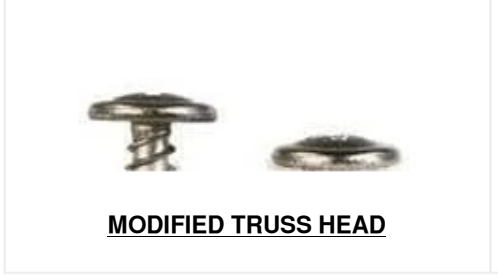
Side & Sill Channel Fastening Guidelines

PRODUCT DISCLAIMER - Fabtex is a manufacturer of commercial products that require installation by a licensed contractor. All information shown is for schematic purposes and to aid coordination amongst trades. All wiring, connections, means and methods is to be performed by others in strict adherence with all federal, state, and local building codes.

Date:
 07/07/21
Scale: NTS
By: MJW

CONFIDENTIAL - All materials disclosed in this document are proprietary to Fabtex, Inc. The holder agrees to maintain it in confidence and must not replicate or reveal this information in any manner.





Approved Fastening Devices

Scale: NTS

Approved Fasteners for Headbox Fastening Guidelines

PRODUCT DISCLAIMER - Fabtex is a manufacturer of commercial products that require installation by a licensed contractor. All information shown is for schematic purposes and to aid coordination amongst trades. All wiring, connections, means and methods is to be performed by others in strict adherence with all federal, state, and local building codes.

Date:
07/07/21
Scale: NTS
By: MJW

CONFIDENTIAL - All materials disclosed in this document are proprietary to Fabtex, Inc. The holder agrees to maintain it in confidence and must not replicate or reveal this information in any manner.

