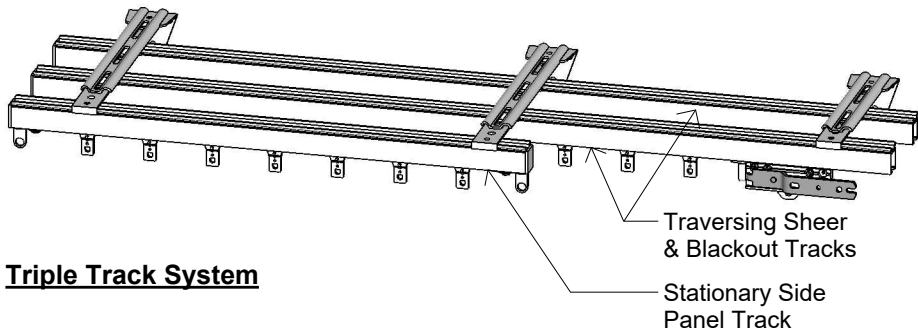


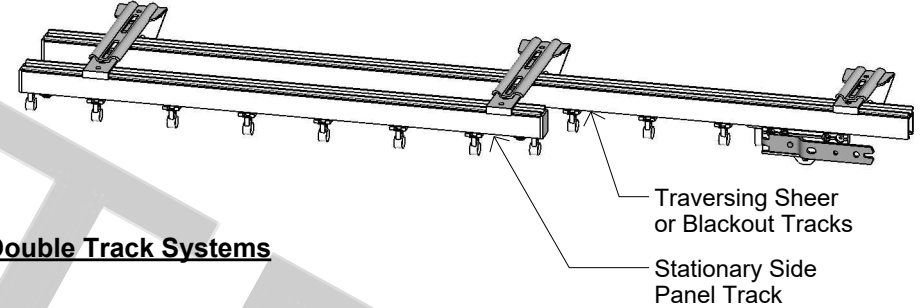
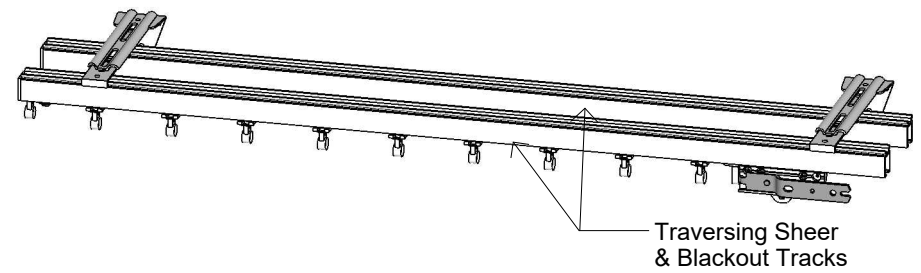
**Double Track Systems**



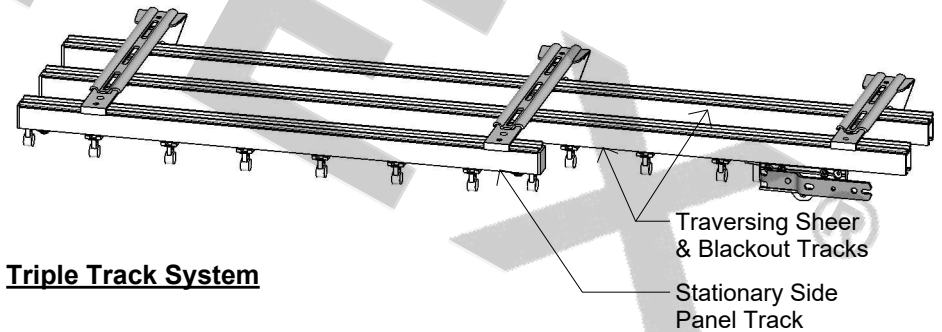
**Triple Track System**

## Pinch Pleat Draperies

Scale: NTS



**Double Track Systems**



**Triple Track System**

## Ripplefold Draperies

Scale: NTS

**FOR INTERNAL USE ONLY**

### Wall Mounted Drapery Hardware Configuration Diagrams

**PRODUCT DISCLAIMER -** Fabtex is a manufacturer of commercial products that require installation by a licensed contractor. All information shown is for schematic purposes and to aid coordination amongst trades. All wiring, connections, means and methods is to be performed by others in strict adherence with all federal, state, and local building codes.

**Date:**

10/10/22

**Scale:** NTS

**By:** MJW

**CONFIDENTIAL -**  
All materials disclosed in this document are proprietary to Fabtex, Inc. The holder agrees to maintain it in confidence and must not replicate or reveal this information in any manner.

