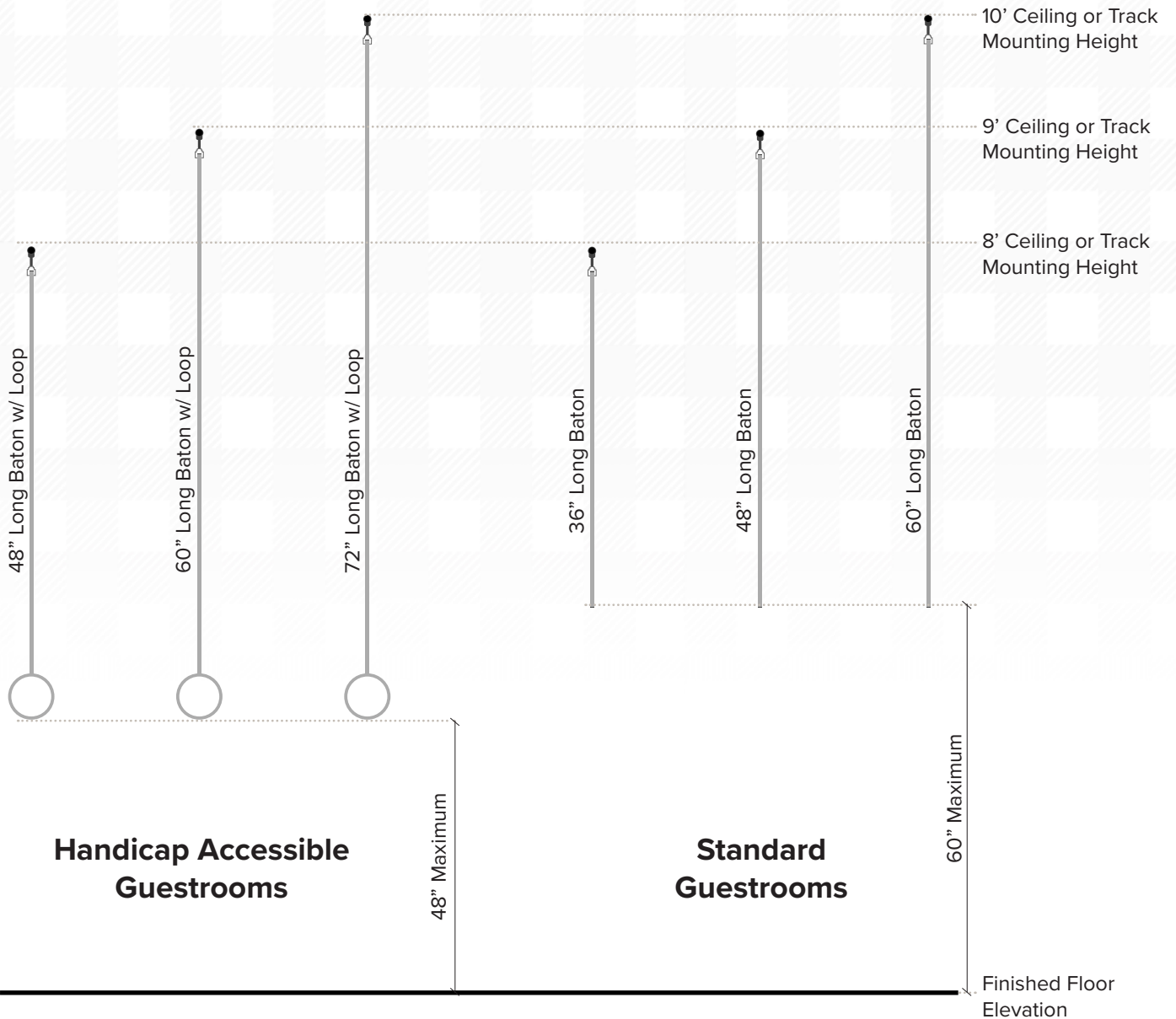


Drapery Draws

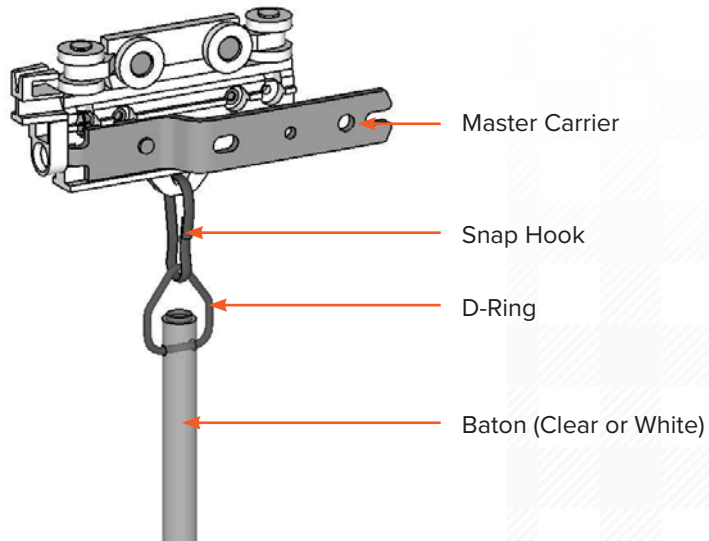
We use batons to draw (or open and close) a drapery. Pulling the baton slides the drapes in the intended direction smoothly, instead of having to tug (and possibly) damage the fabric. For ADA rooms, the baton is longer and looped so you can use your wrist to move it.



Note: For ceiling or track mounting heights greater than 10', Fabtex recommends using cord draw or motorized drapery hardware.

Baton Attachment

Option 1: Baton behind drapery



Option 2: Baton in front of drapery

