

The background of the page is a light gray architectural floor plan, showing various rooms, corridors, and structural elements. The plan is oriented diagonally, with the top-left corner of the page being the top-left of the plan. The lines of the plan are thin and light gray, creating a subtle grid-like pattern.

F A B T E X

8300 Series Drapery Tracking

A solid orange circle is positioned on the right side of the page, partially cut off by the edge. It is located to the right of the main text and below the top half of the page.

Contents

Parts and Descriptions	4
Assembly	
Pinch Pleat	8
Accordia Fold	12
Ripplefold	16
Installation	
Drop Ceiling	20
Drywall	22
On Wood	26
On Concrete	30
Specifications	34

F A B T E X[®]

Perfecting Textile Technology

(800) 778-2791

www.Fabtex.com



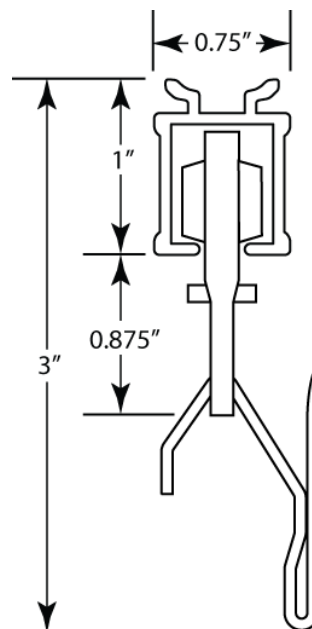
DRAPERY TRACKING AND PARTS DESCRIPTIONS

8300 SERIES

GENERAL DESCRIPTIONS

8300 Drapery Track

Drapery track system shall be Fabtex Model Number 8300 complete with 3/4" x 1" extruded aluminum track channel, carriers, end caps, and other required accessories for a complete and operational track system. Draperies are hand drawn by a baton. The 8300 track may be wall or ceiling mounted. The 8300 track is extruded of .050" 6063-T5 Aluminum alloy with white baked enamel. Track channel available in straight continuous lengths up to 18 feet. It is shown here with a ball bearing carrier and drapery pin hook.



COMPONENT DESCRIPTIONS

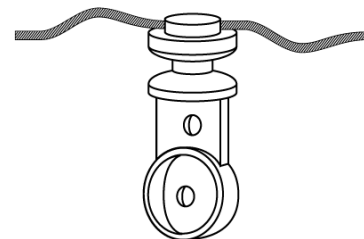
8300-01 Snap Tab Carrier

Snap tab carrier is constructed of a molded white plastic body for curtain attachment. These carriers are used only for Accordia-Fold or snap pleated draperies.



8300-01RF Ripple-Fold Snap Tab Carrier

Snap tab carrier shall be constructed of a molded white plastic body and be individually connected together with nylon strings for curtain attachment. These carriers are used only for Ripple-Fold draperies and are available in 60%, 80% 100% and 120% fullness levels.



8300-02 Friction Slide

Carrier shall be constructed of molded plastic body with molded in loop for French pleated or pinch pleated drapery attachment.





DRAPERY TRACKING AND PARTS DESCRIPTIONS

8300 SERIES

COMPONENT DESCRIPTIONS (CONTINUED)

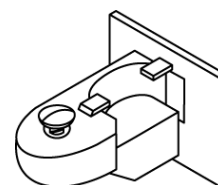
8300-03 Ball Bearing Carrier

Carrier shall be constructed of molded white plastic body. Center of the carrier rotates and provides smooth trouble free glide. Two size carriers are offered in both ¾" and 1" in diameter. This carrier is used primarily for French pleated or pinch pleated draperies.



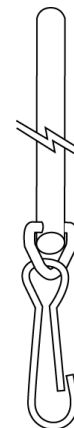
8300-05FS & 8300-05ST End Cap

End cap is constructed of white plastic with ¼" nickel plated screw. End cap is secured into the track by tightening the screw after it is placed into the end of the drapery track. Carriers are snapped into the end cap to secure the end of the drapery in place. FS End Caps have friction slide carriers for Pinch Pleated draperies. ST End Caps have snap tab carriers for Ripple-Fold and Accordia-Fold draperies.



8300-BW White Baton with Snap Hook

Batons are constructed from a white fiberglass. These batons are 3/8" in diameter and are available in the following lengths: 36", 48", 60", or 72". Batons have a metal anodized snap hook at the end to attach to the drapery master carrier.



8300-BC Clear Baton with Snap Hook

Batons are constructed from a clear polymer plastic. These batons are approximately 3/8" in diameter and are available in 36" and 48" lengths. Batons have a metal anodized snap hook at the end to attach to the drapery master carrier.



8300-BWA & 8300-BCA Baton with Adapter

Batons are constructed from a clear (BCA) or white (BWA) fiberglass. These batons are 3/8" in diameter and are available in the following lengths: 36", 48", 60", or 72". Batons have a plastic adapter at the end to attach to the drapery master carrier. The adapter equipped batons are to be used with 8300-19 / 8400-19 and 8300-20 / 8400-19 master carriers.



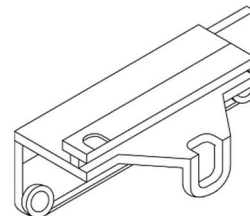
DRAPERY TRACKING AND PARTS DESCRIPTIONS

8300 SERIES

COMPONENT DESCRIPTIONS (CONTINUED)

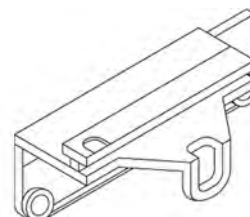
8300-07 Left Hand Snap Pleat Master Carrier

The snap pleated master carrier is constructed from an injection molded white plastic body. This is the most popular master carrier used for Accordia-Fold, Ripple-Fold, or snap pleated draperies. Accommodates batons with snap rings.



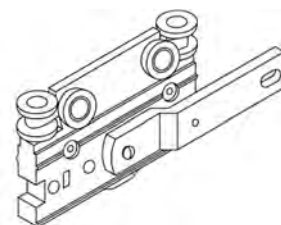
8300-08 Right Hand Snap Pleat Master Carrier

The snap pleated master carrier is constructed from an injection molded white plastic body. This is the most popular master carrier used for Accordia-Fold, Ripple-Fold, or snap pleated draperies. Accommodates batons with snap rings.



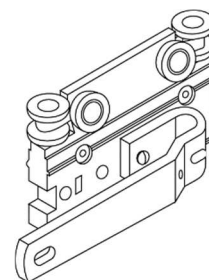
8300-09 Left Hand Hidden Baton Master Carrier

This drapery master carrier is constructed from a molded white plastic body. Six molded 1/2" diameter wheels allow the master carrier to slide inside the track channel. A 3" heavy duty steel master carrier arm serves as the furthest edge of the drapery carrier where a fiberglass baton attaches behind the leading edge of the drapery; thus hiding it from the room. This master carrier is used for French pleated and pinch pleated draperies.



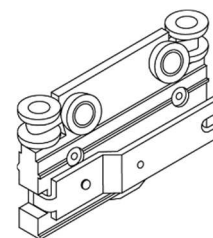
8300-10 Right Hand Hidden Baton Master Carrier

This drapery master carrier is constructed from a molded white plastic body. Six molded 1/2" diameter wheels allow the master carrier to slide inside the track channel. A 3" heavy duty steel master carrier arm serves as the furthest edge of the drapery carrier where a fiberglass baton attaches behind the leading edge of the drapery; thus hiding it from the room. This master carrier is used for French pleated and pinch pleated draperies.



8300-19 Left Hand Exposed Baton Master Carrier

This drapery master carrier shall be constructed from a molded white plastic body. Six molded 1/2" diameter wheels cause the master carrier to slide inside the track channel. A 3" heavy duty steel master carrier arm serves as the furthest edge of the drapery carrier. This master carrier must be used only with exposed batons and stiffeners attached to the draperies by a grommet. Used for French pleated and pinch pleated draperies.





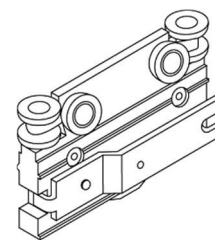
DRAPERY TRACKING AND PARTS DESCRIPTIONS

8300 SERIES

COMPONENT DESCRIPTIONS (CONTINUED)

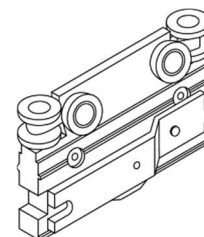
8300-19RF Left Hand Exposed Baton Master Carrier – Ripple Fold

This drapery master carrier is constructed from a molded white plastic body. Six molded ½” diameter wheels allow the master carrier to slide inside the track channel. A 3” heavy duty steel master carrier arm serves as the furthestmost edge of the drapery carrier. This master carrier must be used only with exposed batons and stiffeners attached to the draperies by a grommet. Used for Ripple-Fold draperies only.



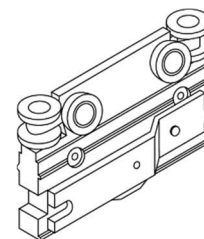
8300-20 Right Hand Exposed Baton Master Carrier

This drapery master carrier shall be constructed from a molded white plastic body. Six molded ½” diameter wheels cause the master carrier to slide inside the track channel. A 3” heavy duty steel master carrier arm serves as the furthestmost edge of the drapery carrier. This master carrier must be used only with exposed batons and stiffeners attached to the draperies by a grommet. Used for French pleated and pinch pleated draperies.



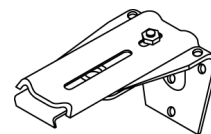
8300-20RF Right Hand Exposed Baton Master Carrier – Ripple Fold

This drapery master carrier is constructed from a molded white plastic body. Six molded ½” diameter wheels allow the master carrier to slide inside the track channel. A 3” heavy duty steel master carrier arm serves as the furthestmost edge of the drapery carrier. This master carrier must be used only with exposed batons and stiffeners attached to the draperies by a grommet. Used for Ripple-Fold draperies only.



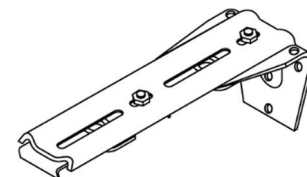
8300-22 Wall Bracket, 3”

Made of heavy gauge steel and combined with a track clip assembly, this wall bracket is designed with a 3” clearance to allow easy installation of track and curtains. The track clip secures the track into place utilizing the notches at the top of the 8300 series track.



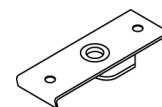
8300-23 Wall Bracket, 6”

Made of heavy gauge steel and combined with a track clip assembly, this wall bracket is designed with a 6” clearance to allow easy installation of two sets of track and curtains. The track clip secures the track into place utilizing the notches at the top of the 8300 series track.



8300-24 Track Clip

Made of heavy gauge steel, the track clip assembly is designed to allow quick and easy installation of track utilizing the notches at the top of the 8300 series track.





ASSEMBLY INSTRUCTIONS

8300 SERIES TRACK

Pinch Pleated Draperies Configured as a Panel

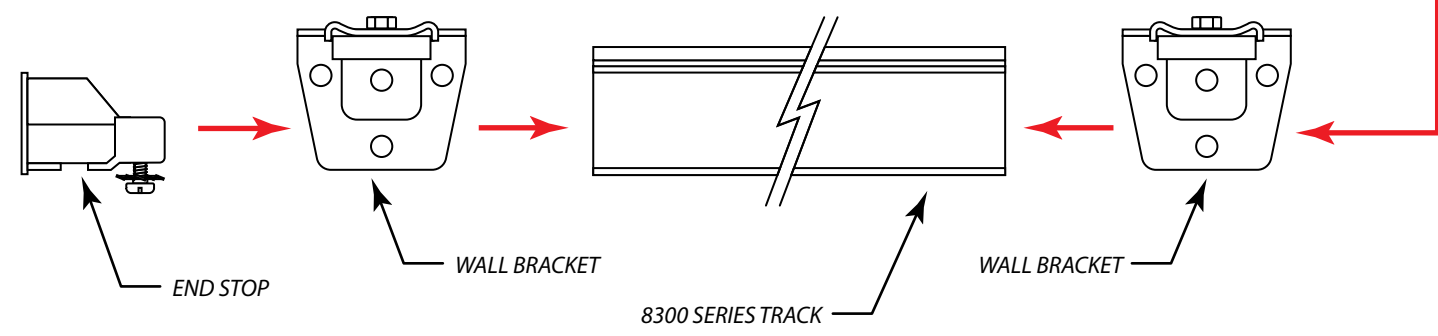
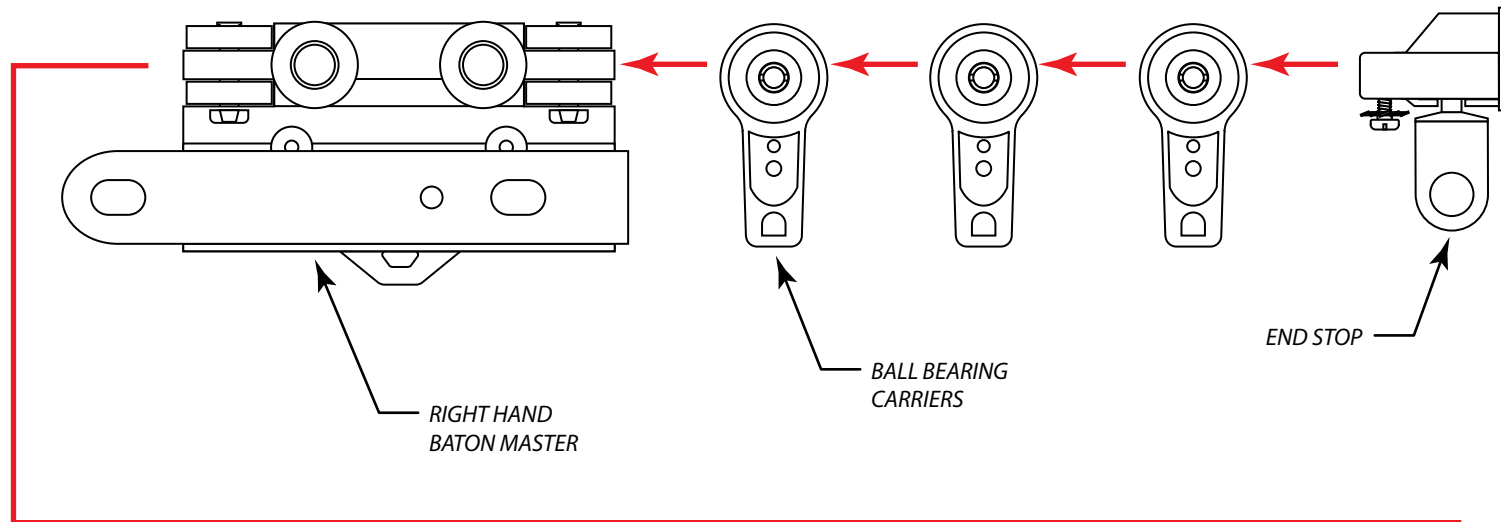
Cut track to length and insert one end cap. Next, insert the baton master using a left hand baton master if you want the drapery to stack on the left side of the window (the left hand baton master is illustrated above). If you want the drapery to stack on the right side of the window, use the right hand master. After selecting and inserting the master carrier, insert all ball bearing carriers and the last end cap. Attach the wall mount track bracket to the top of the track, leaving 24" to 36" between each one. Once all of the wall brackets are installed hold the entire track system up to the wall and mark the holes you need to drill. Remove wall brackets from the track and attach them to the wall. Once the brackets are mounted, re-attach the track to the brackets. Hang drapery and check to ensure smooth operation.

For smoother operation, lightly spray the inside of the track with an aerosol silicone lubricant. Depending upon environment, clean and re-lubricate as necessary.

Pinch Pleated Draperies Configured as a Pair

Cut track to length and insert one end cap. Next, half of the ball bearing carriers, the right hand baton master, the left hand baton master, the remaining ball bearing carriers, and the last end cap. Attach the wall mount track bracket to the top of the track, leaving 24" to 36" between each one. Once all of the wall brackets are installed, hold the entire track system up to the wall and mark the holes you need to drill. Remove wall brackets from the track and attach them to the wall. Once the brackets are mounted, re-attach the track to the brackets. Hang draperies and check to ensure smooth operation.

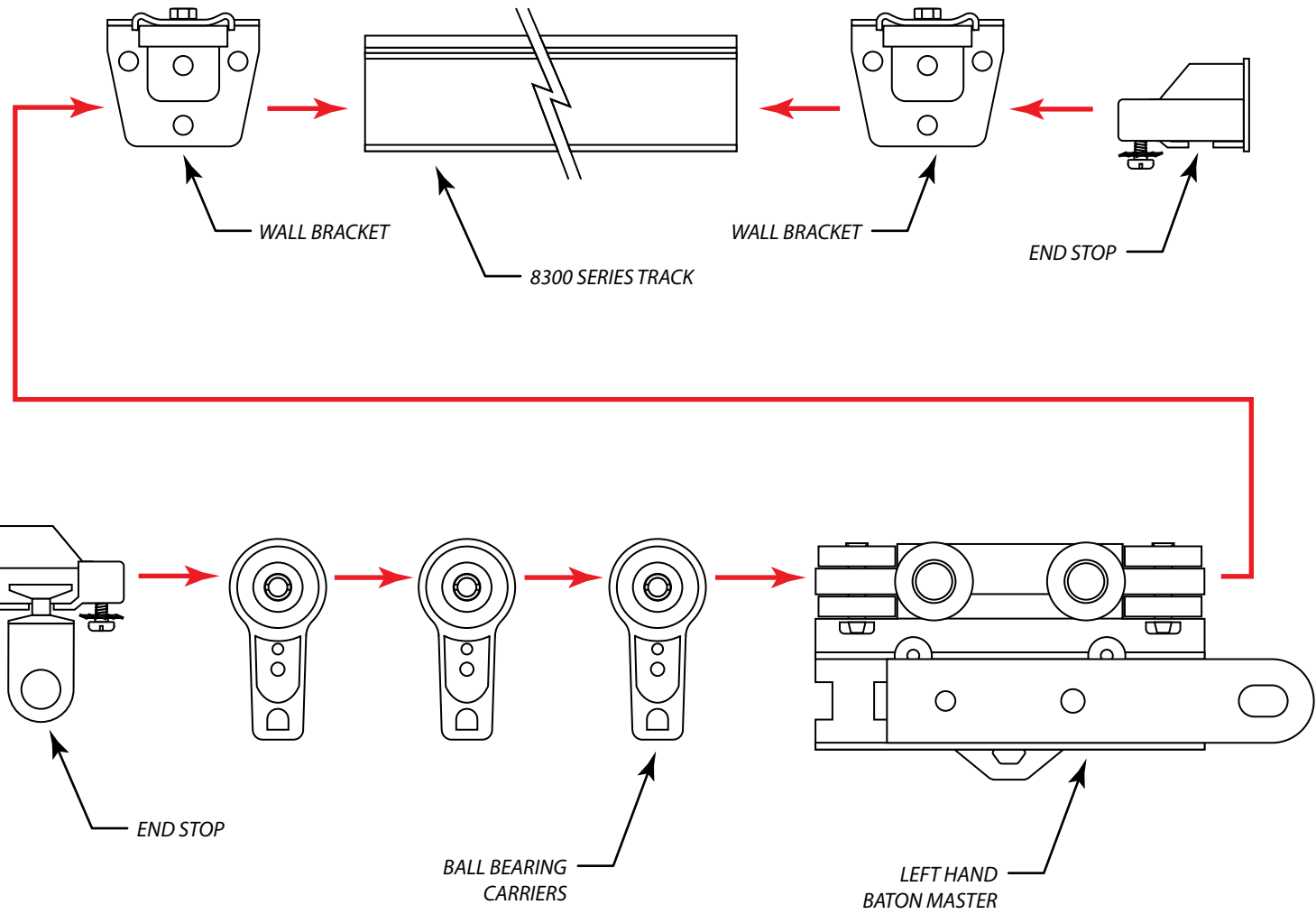
For smoother operation, lightly spray the inside of the track with an aerosol silicone lubricant. Depending upon environment, clean and re-lubricate as necessary.



CONFIDENTIAL All materials disclosed in this document are proprietary to Fabtex, Inc. The Holder agrees to maintain it in confidence and must not replicate or reveal this information in any manner.	Project: 8300 Series Drapery Tracking System Pinch Pleat, Right Hand Panel	
	Date: 15-AUG-2016	Dimensions: Inches/Feet
	Scale: DO NOT SCALE	By: C. Johnson

F A B T E X[®]

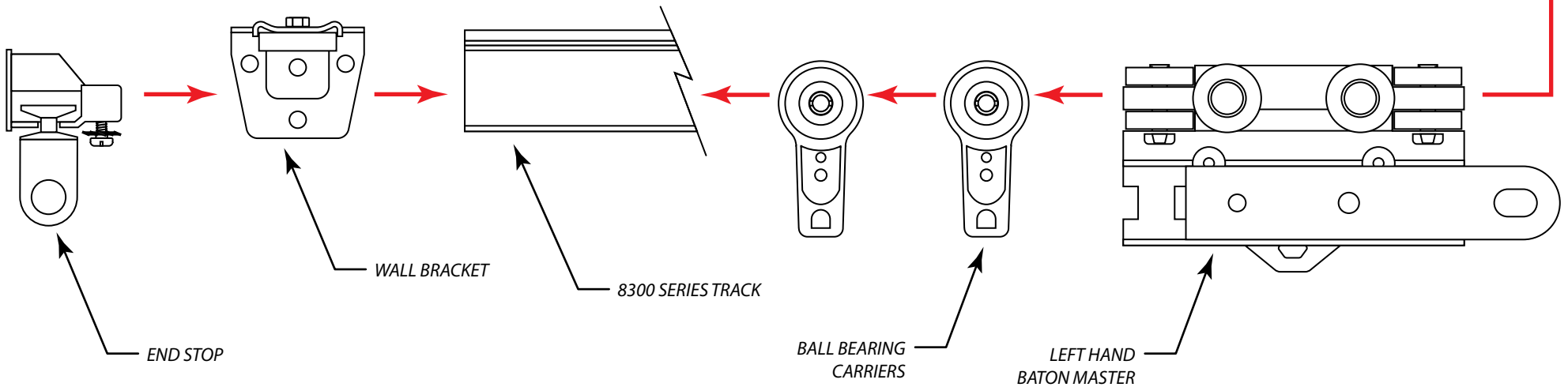
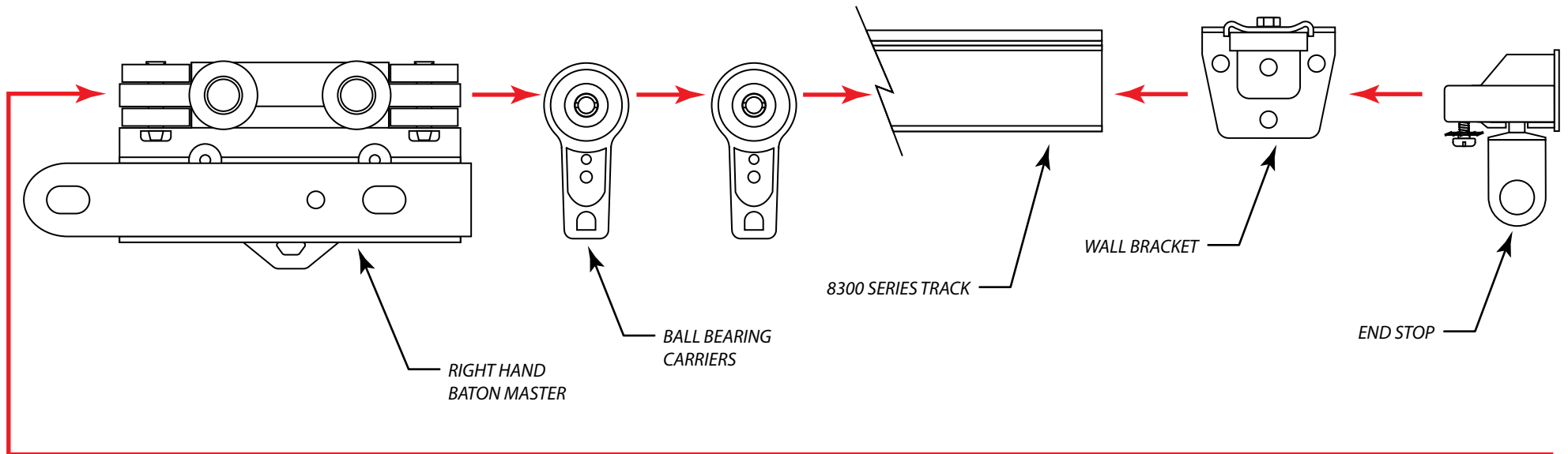
(800) 778-2791 www.fabtex.com



CONFIDENTIAL All materials disclosed in this document are proprietary to Fabtex, Inc. The Holder agrees to maintain it in confidence and must not replicate or reveal this information in any manner.	Project: 8300 Series Drapery Tracking System Pinch Pleat, Left Hand Panel	
	Date: 15-AUG-2016	Dimensions: Inches/Feet
	Scale: DO NOT SCALE	By: C. Johnson

FABTEX®

(800) 778-2791 www.fabtex.com



CONFIDENTIAL All materials disclosed in this document are proprietary to Fabtex, Inc. The Holder agrees to maintain it in confidence and must not replicate or reveal this information in any manner.	Project: 8300 Series Drapery Tracking System Assembly: Pinch Pleated, Pair	
	Date: 15-AUG-2016	Dimensions: Inches/Feet
	Scale: DO NOT SCALE	By: C. Johnson

FABTEX®

(800) 778-2791 www.fabtex.com



ASSEMBLY INSTRUCTIONS

8300 SERIES TRACK

Accordia-Fold Draperies Configured as a Panel

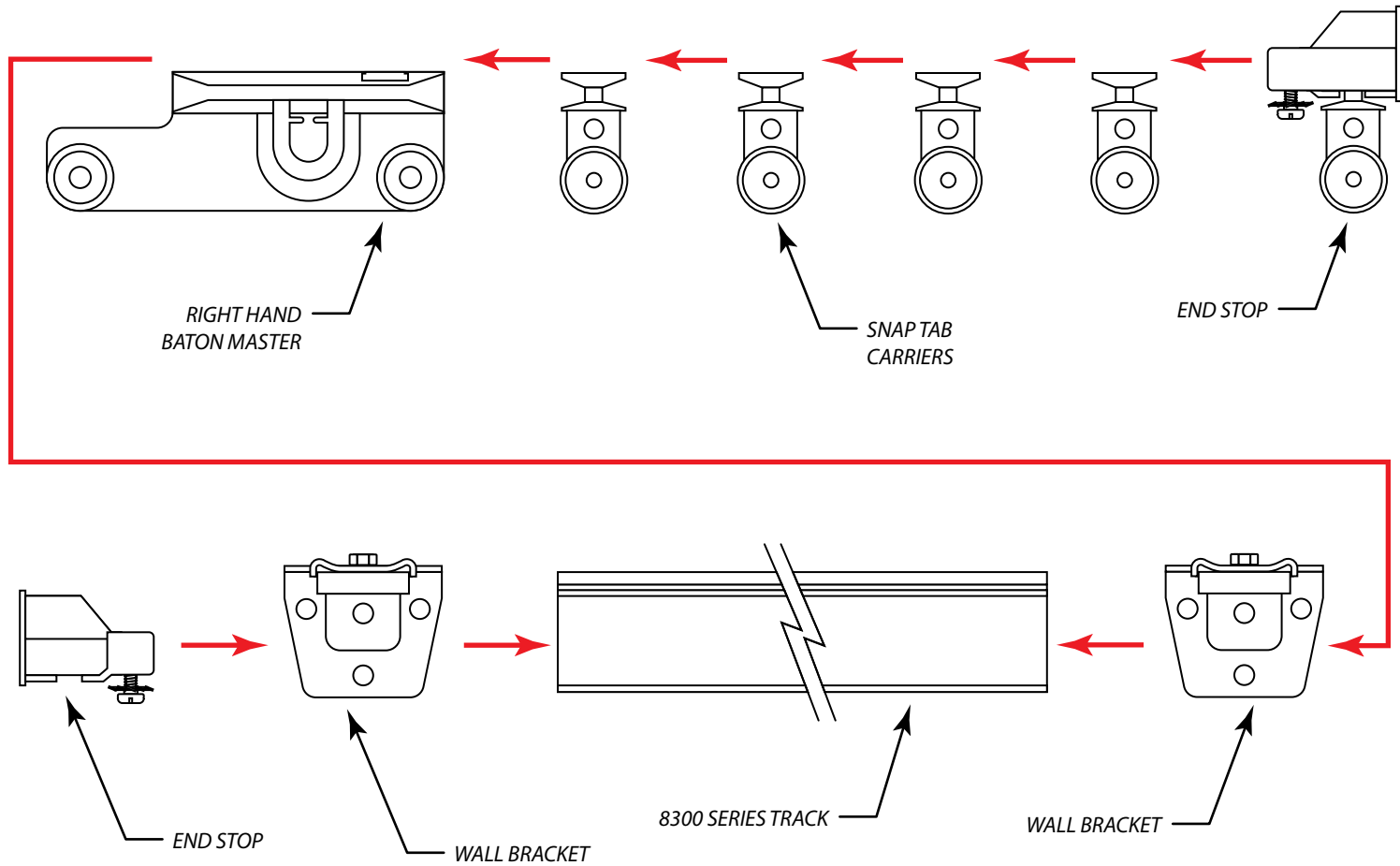
Cut track to length and insert one end cap. Next, insert the baton master using a left hand baton master if you want the drapery to stack on the left side of the window (the left hand baton master is illustrated above). If you want the drapery to stack on the right side of the window, use the right hand master. After selecting and inserting the master carrier, insert all snap tab carriers and the last end cap. Attach the wall mount track bracket to the top of the track, leaving 24" to 36" between each one. Once all of the wall brackets are installed, hold the entire track system up to the wall and mark the holes you need to drill. Remove wall brackets from the track and attach them to the wall. Once the brackets are mounted, re-attach the track to the brackets. Hang drapery and check to ensure smooth operation.

For smoother operation, lightly spray the inside of the track with an aerosol silicone lubricant. Depending upon environment, clean and re-lubricate as necessary.

Accordia-Fold Draperies Configured as a Pair

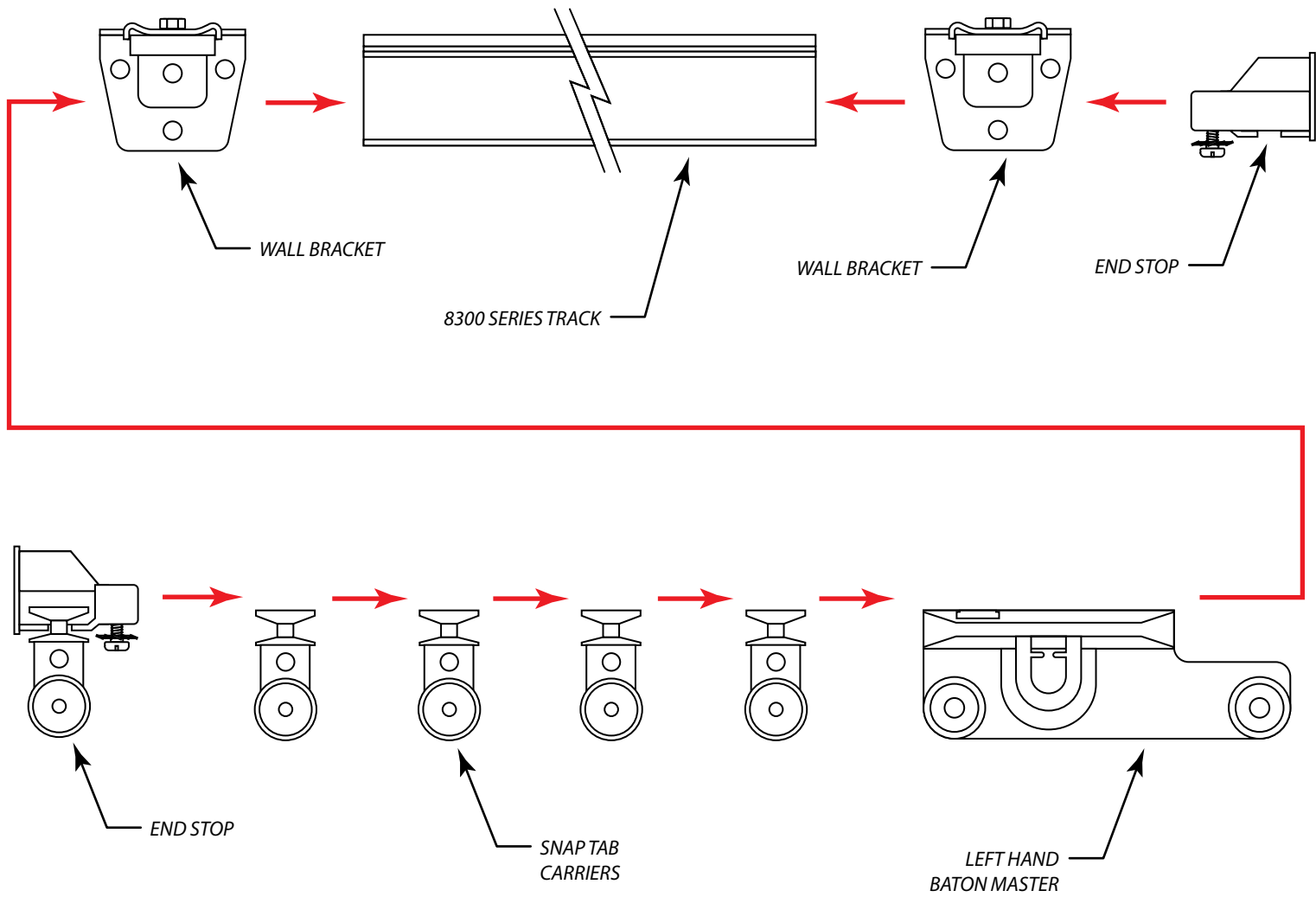
Cut track to length and insert one end cap. Next, half of the snap tab carriers, the right hand baton master, the left hand baton master, the remaining snap tab carriers, and the last end cap. Attach the wall mount track bracket to the top of the track, leaving 24" to 36" between each one. Once all of the wall brackets are installed, hold the entire track system up to the wall and mark the holes you need to drill. Remove wall brackets from the track and attach them to the wall. Once the brackets are mounted, re-attach the track to the brackets. Hang draperies and check to ensure smooth operation.

For smoother operation, lightly spray the inside of the track with an aerosol silicone lubricant. Depending upon environment, clean and re-lubricate as necessary.



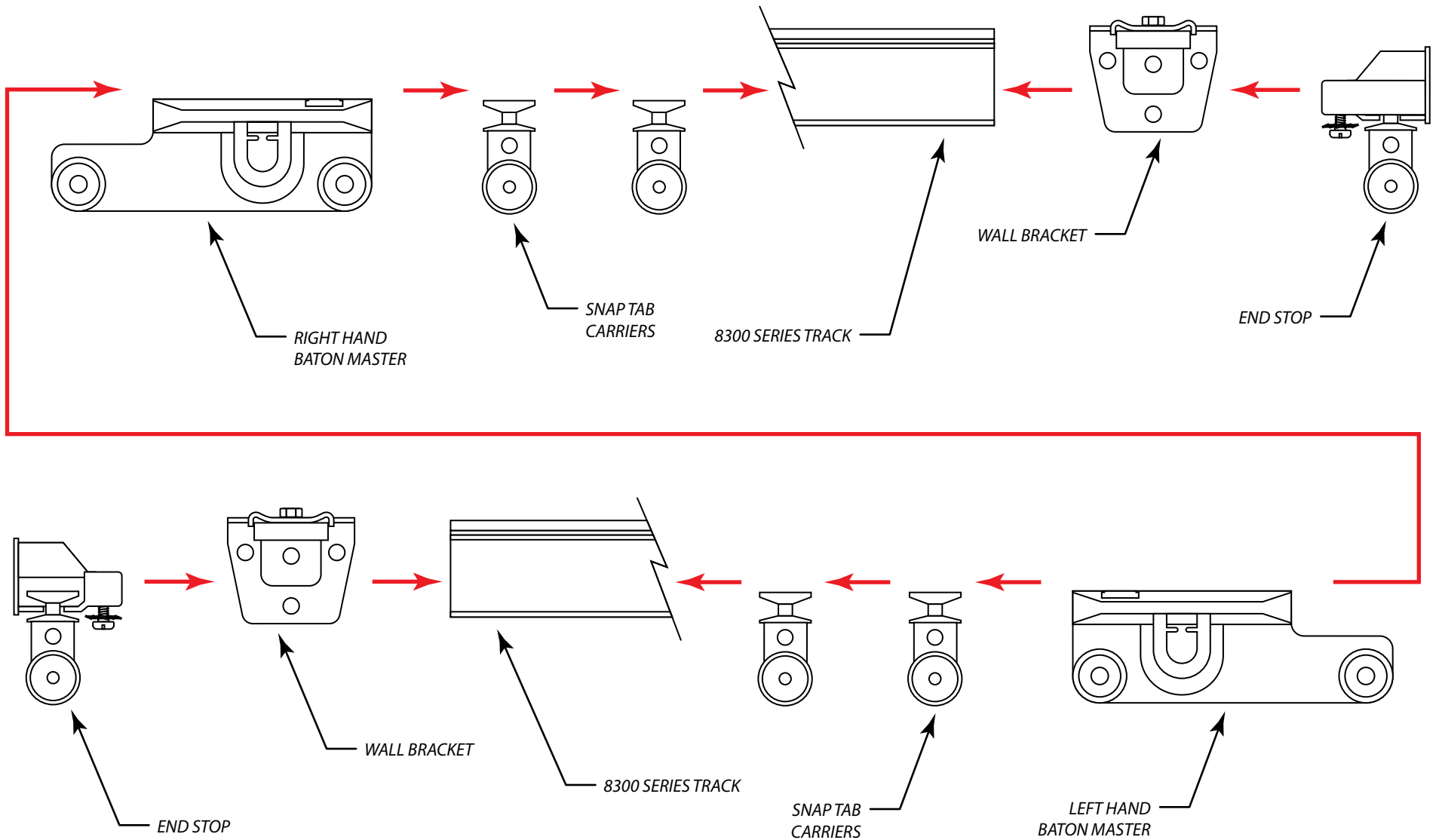
CONFIDENTIAL All materials disclosed in this document are proprietary to Fabtex, Inc. The Holder agrees to maintain it in confidence and must not replicate or reveal this information in any manner.	Project: 8300 Series Drapery Tracking System Accordia-Fold, Right Hand Panel	
	Date: 15-AUG-2016	Dimensions: Inches/Feet
	Scale: DO NOT SCALE	By: C. Johnson





CONFIDENTIAL All materials disclosed in this document are proprietary to Fabtex, Inc. The Holder agrees to maintain it in confidence and must not replicate or reveal this information in any manner.	Project: 8300 Series Drapery Tracking System Accordia-Fold, Left Hand Panel	
	Date: 15-AUG-2016	Dimensions: Inches/Feet
	Scale: DO NOT SCALE	By: C. Johnson





CONFIDENTIAL All materials disclosed in this document are proprietary to Fabtex, Inc. The Holder agrees to maintain it in confidence and must not replicate or reveal this information in any manner.	Project: 8300 Series Drapery Tracking System Accordia-Fold, Pair	
	Date: 15-AUG-2016	Dimensions: Inches/Feet
	Scale: DO NOT SCALE	By: C. Johnson

FABTEX®
 (800) 778-2791 www.fabtex.com



ASSEMBLY INSTRUCTIONS

8300 SERIES TRACK

Ripple-Fold Draperies Configured as a Panel

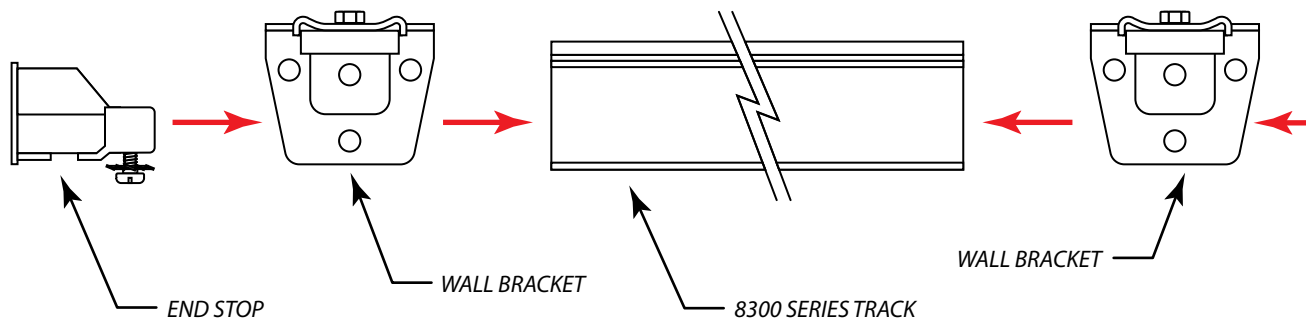
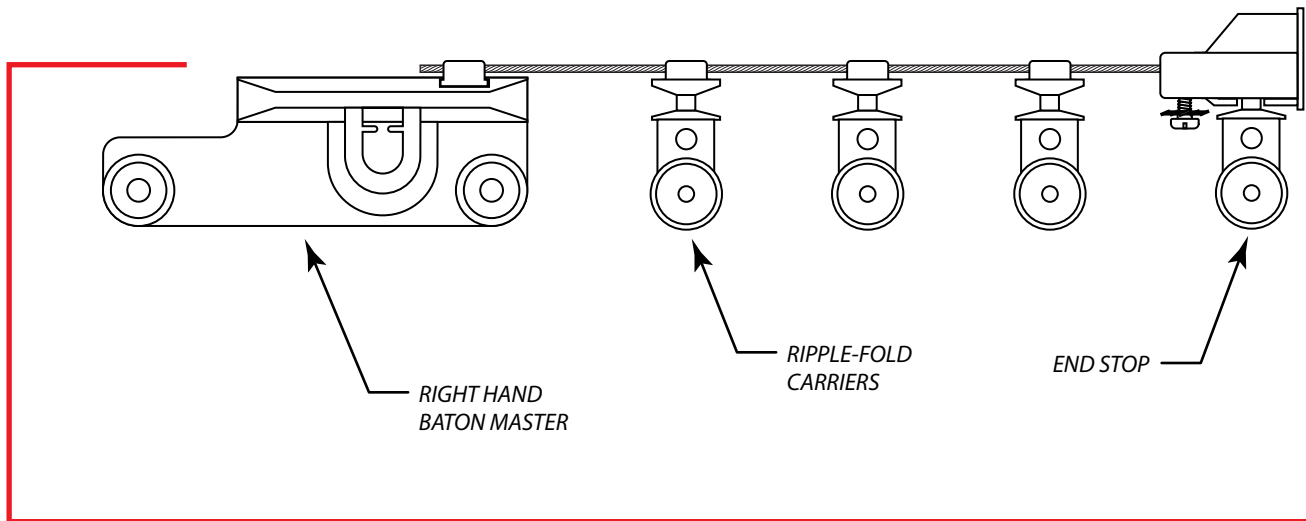
Cut track to length and insert one end cap. Next, insert all of the Ripple-Fold carriers required for the drapery. Leave one extra carrier more than needed, pop the tab out of the top, and attach this tab to the left / right hand baton master- insert into track. Lastly, insert final end cap. Attach the wall mount track brackets to the top of the track, leaving 24" to 36" between each one. Once all of the wall brackets are installed, hold the entire track system up to the wall and mark the holes you need to drill. Remove wall brackets from the track and attach them to the wall. Once the brackets are mounted, re-attach the track to the brackets. Hang draperies and check to ensure smooth operation.

For smoother operation, lightly spray the inside of the track with an aerosol silicone lubricant. Depending upon environment, clean and re-lubricate as necessary.

Ripple-Fold Draperies Configured as a Pair

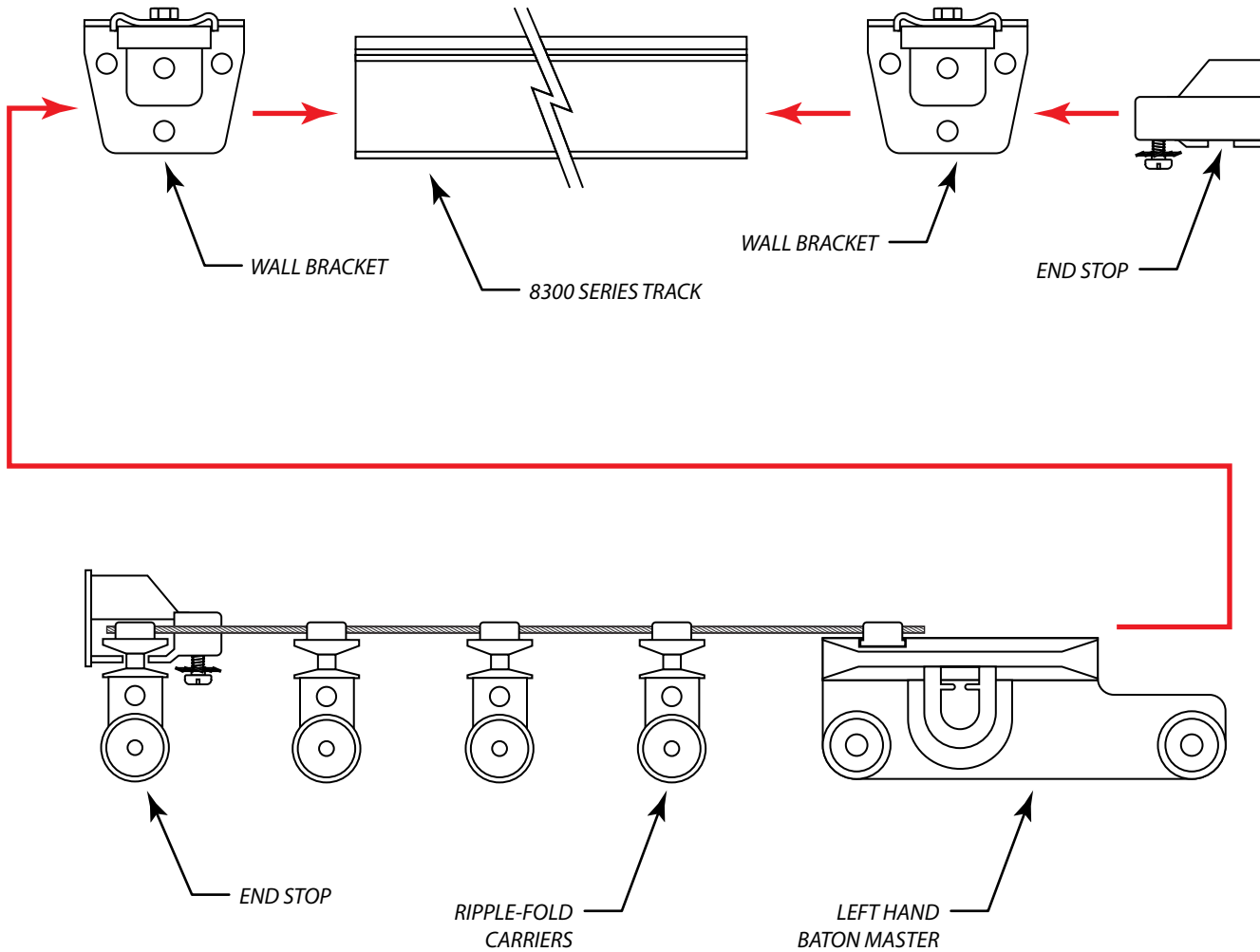
Cut track to length and insert one end cap. Next, insert all of the Ripple-Fold carriers required for the right side of the paired draperies. Leave one extra carrier more than needed, pop the tab out of the top, and attach this tab to the right hand baton master- insert into track. Do the same for the left hand baton master, however, slide the master in first followed by all of the carriers required for the left panel. Lastly, insert final end cap. Attach the wall mount track brackets to the top of the track, leaving 24" to 36" between each one. Once all of the wall brackets are installed, hold the entire track system up to the wall and mark the holes you need to drill. Remove wall brackets from the track and attach them to the wall. Once the brackets are mounted, re-attach the track to the brackets. Hang draperies and check to ensure smooth operation.

For smoother operation, lightly spray the inside of the track with an aerosol silicone lubricant. Depending upon environment, clean and re-lubricate as necessary.



CONFIDENTIAL All materials disclosed in this document are proprietary to Fabtex, Inc. The Holder agrees to maintain it in confidence and must not replicate or reveal this information in any manner.	Project: 8300 Series Drapery Tracking System Ripple-Fold, Right Hand Panel	
	Date: 12-AUG-2016	Dimensions: Inches/Feet
	Scale: DO NOT SCALE	By: C. Johnson

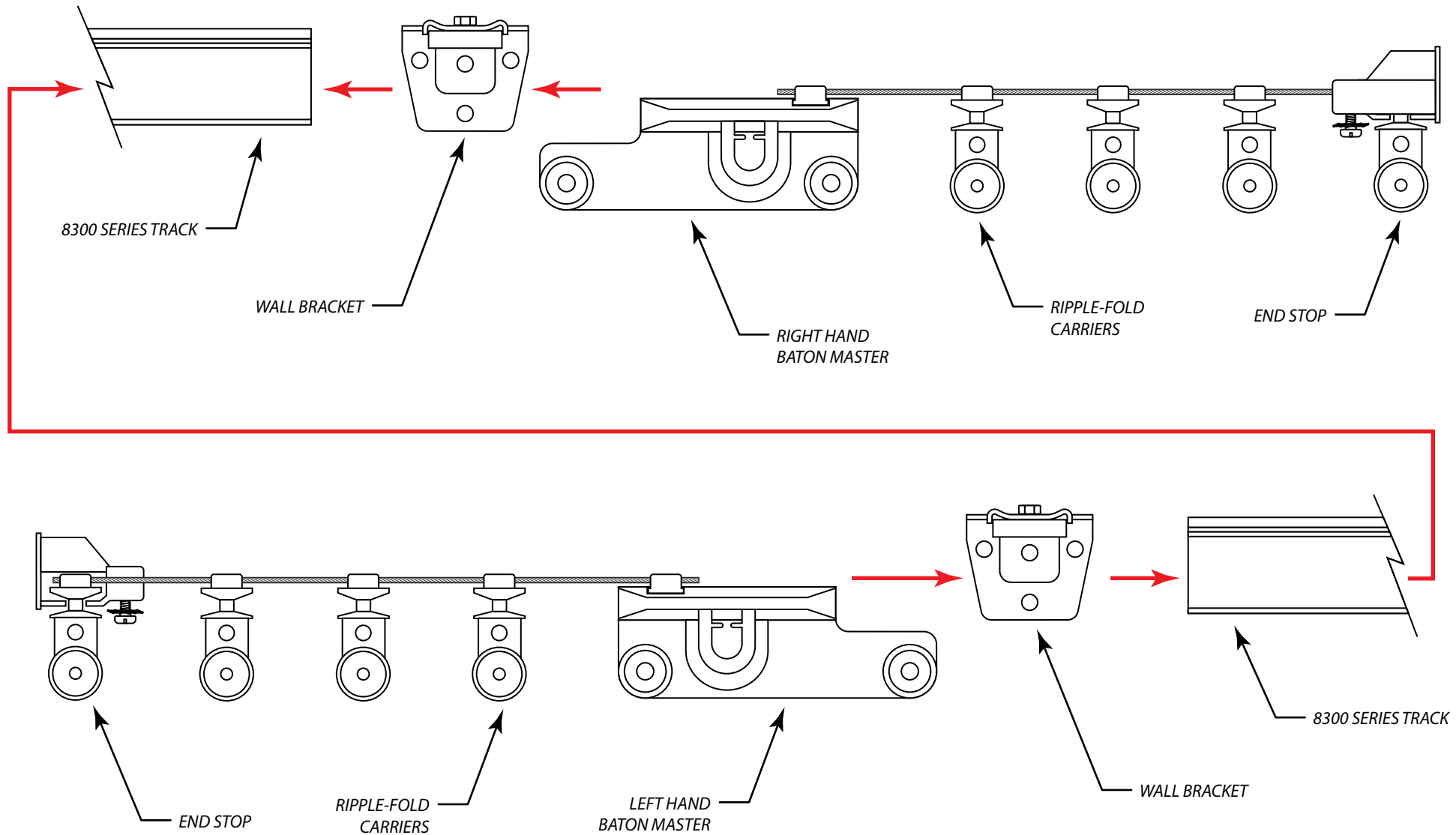




CONFIDENTIAL All materials disclosed in this document are proprietary to Fabtex, Inc. The Holder agrees to maintain it in confidence and must not replicate or reveal this information in any manner.	Project: 8300 Series Drapery Tracking System Ripple-Fold, Left Hand Panel	
	Date: 15-AUG-2016	Dimensions: Inches/Feet
	Scale: DO NOT SCALE	By: C. Johnson

F A B T E X[®]

(800) 778-2791 www.fabtex.com



CONFIDENTIAL All materials disclosed in this document are proprietary to Fabtex, Inc. The Holder agrees to maintain it in confidence and must not replicate or reveal this information in any manner.	Project: 8300 Series Drapery Tracking System Assembly: Ripple-Fold, Pair	
	Date: 15-AUG-2016	Dimensions: Inches/Feet
	Scale: DO NOT SCALE	By: C. Johnson



FABTEX®
 (800) 778-2791 www.fabtex.com

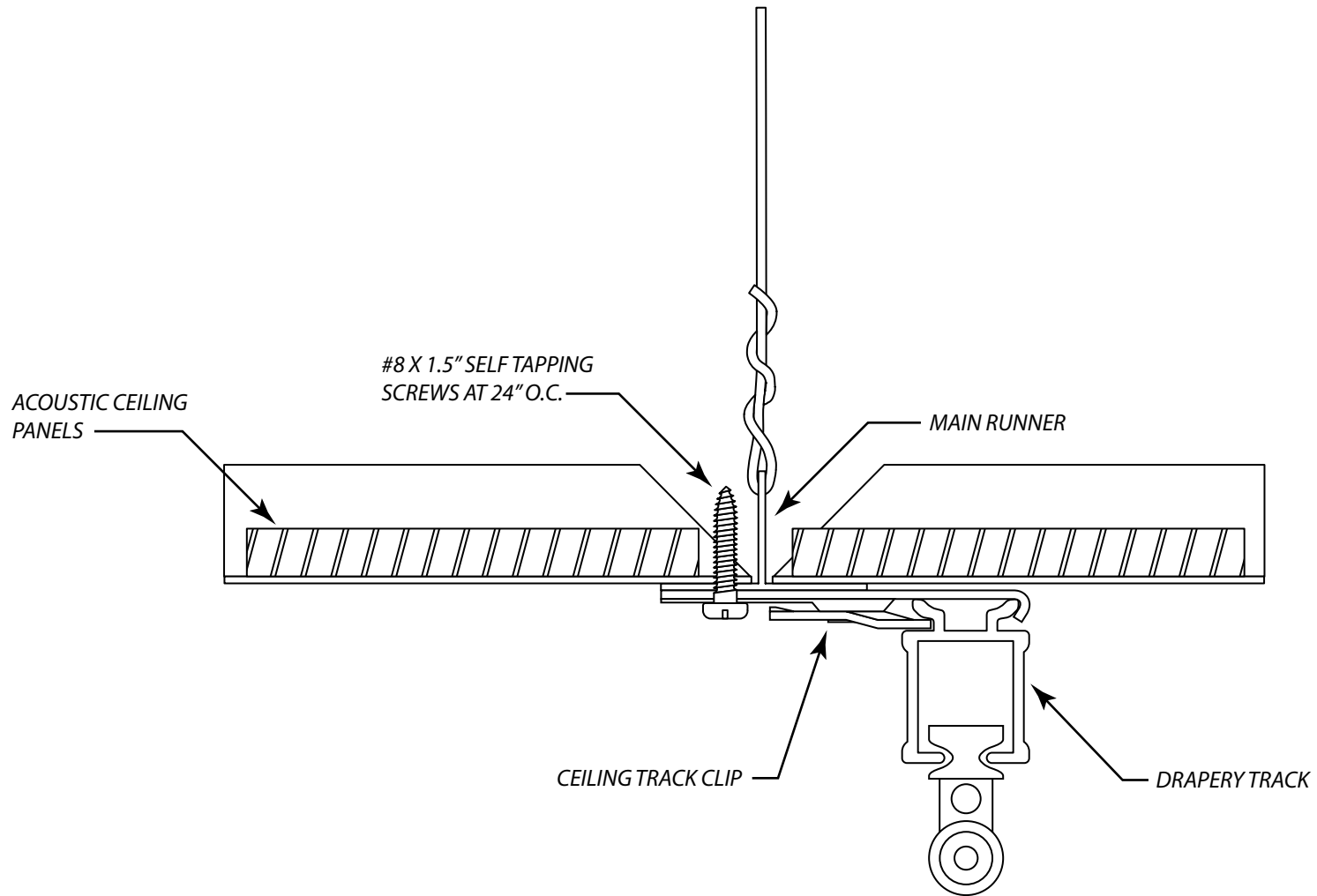


DRAPERY TRACKING INSTALLATION INSTRUCTIONS

8300 SERIES – DROP CEILING GRID INSTALLATION

The tools and materials that are required to install drapery track will vary depending upon the ceiling type. Fabtex does not provide the fasteners or the tools that are required to install drapery track. Fabtex does not assume liability on any installation method. The techniques listed here are merely industry recommendations.

1. Place the drapery track on the floor. Lay out the configurations to ensure that the track is positioned exactly where it is desired.
2. Begin on one end of the track; and mark the holes on the ceiling. Repeat this process on the track as well. Note: track should be secured at 24"- 30" intervals beginning on one end of the track.
3. Anchor track via a 2" #8 self-tapping screw hex head or pan head recommended. Track will be anchored directly to the drop ceiling grid.
4. If the track is spliced, check to ensure that there are no obstructions. Then place the track splice over one end of the track and secure via the steps listed above. Slide the other side of the track into the splice and secure with a fastener. This will ensure that the carriers will not bind at this location.
5. Make sure that both ends of the tracks and the end stops are secured to the ceiling.



CONFIDENTIAL All materials disclosed in this document are proprietary to Fabtex, Inc. The Holder agrees to maintain it in confidence and must not replicate or reveal this information in any manner.	Project: 8300 Series Tracking System Drop Ceiling Installation	
	Date: 16-AUG-2016	Dimensions: Inches/Feet
	Scale: DO NOT SCALE	By: C. Johnson

F A B T E X[®]
 (800) 778-2791 www.fabtex.com

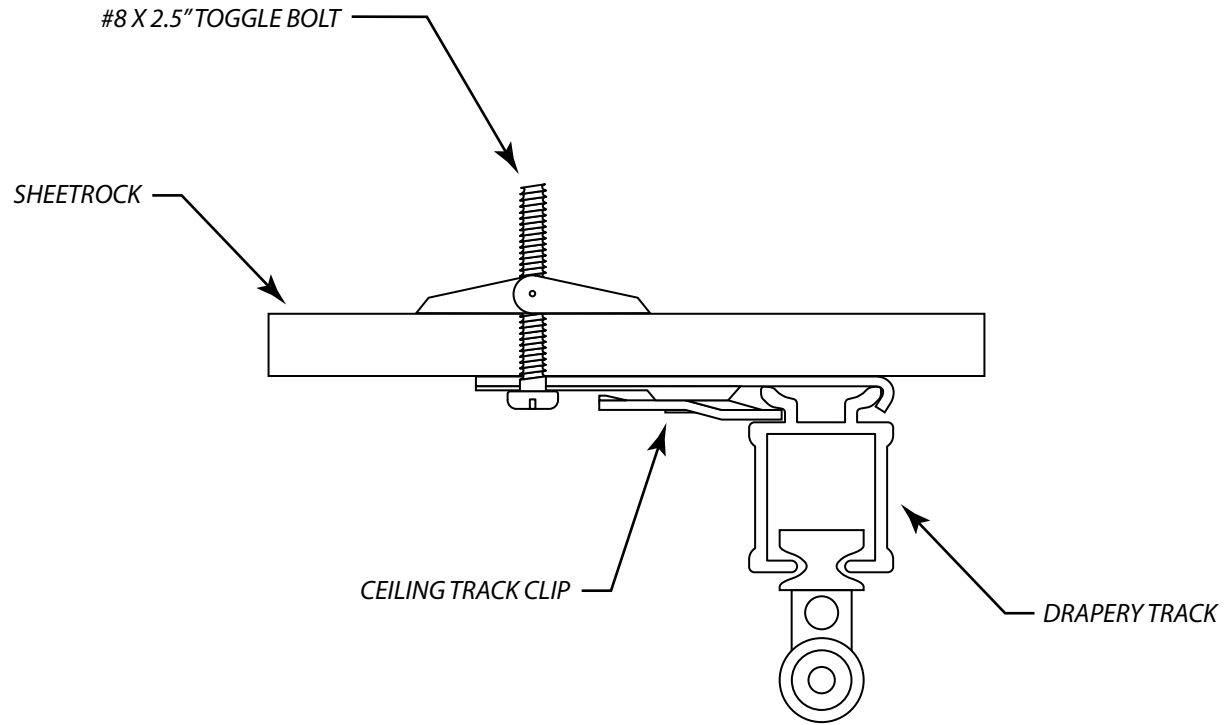


DRAPERY TRACKING INSTALLATION INSTRUCTIONS

8300 SERIES – SHEETROCK (DRYWALL) CEILING INSTALLATION

The tools and materials that are required to install drapery track will vary depending upon the ceiling type. Fabtex does not provide the fasteners or the tools that are required to install drapery track. Fabtex does not assume liability on any installation method. The techniques listed here are merely industry recommendations.

1. Place the drapery track on the floor. Lay out the configurations to ensure that the track is positioned exactly where it is desired.
2. Begin on one end of the track; and mark the holes on the ceiling. Repeat this process on the track as well. Note: track should be secured at 24"- 30" intervals beginning on one end of the track.
3. Pre-drill the ceiling.
4. Anchor track via a 3" hex head bolt and wings. Toggle will be 1/8" in diameter. Slotted hex head or Robertson head is recommended.
5. If the track is spliced, check to ensure that there are no obstructions. Then place the track splice over one end of the track and secure via the steps listed above. Slide the other side of the track into the splice and secure with a fastener. This will ensure that the carriers will not bind at this location.
6. Make sure that both ends of the tracks and the end stops are secured to the ceiling.



CONFIDENTIAL All materials disclosed in this document are proprietary to Fabtex, Inc. The Holder agrees to maintain it in confidence and must not replicate or reveal this information in any manner.	Project: 8300 Series Tracking System Sheetrock Installation	
	Date: 16-AUG-2016	Dimensions: Inches/Feet
	Scale: DO NOT SCALE	By: C. Johnson
		(800) 778-2791 www.fabtex.com

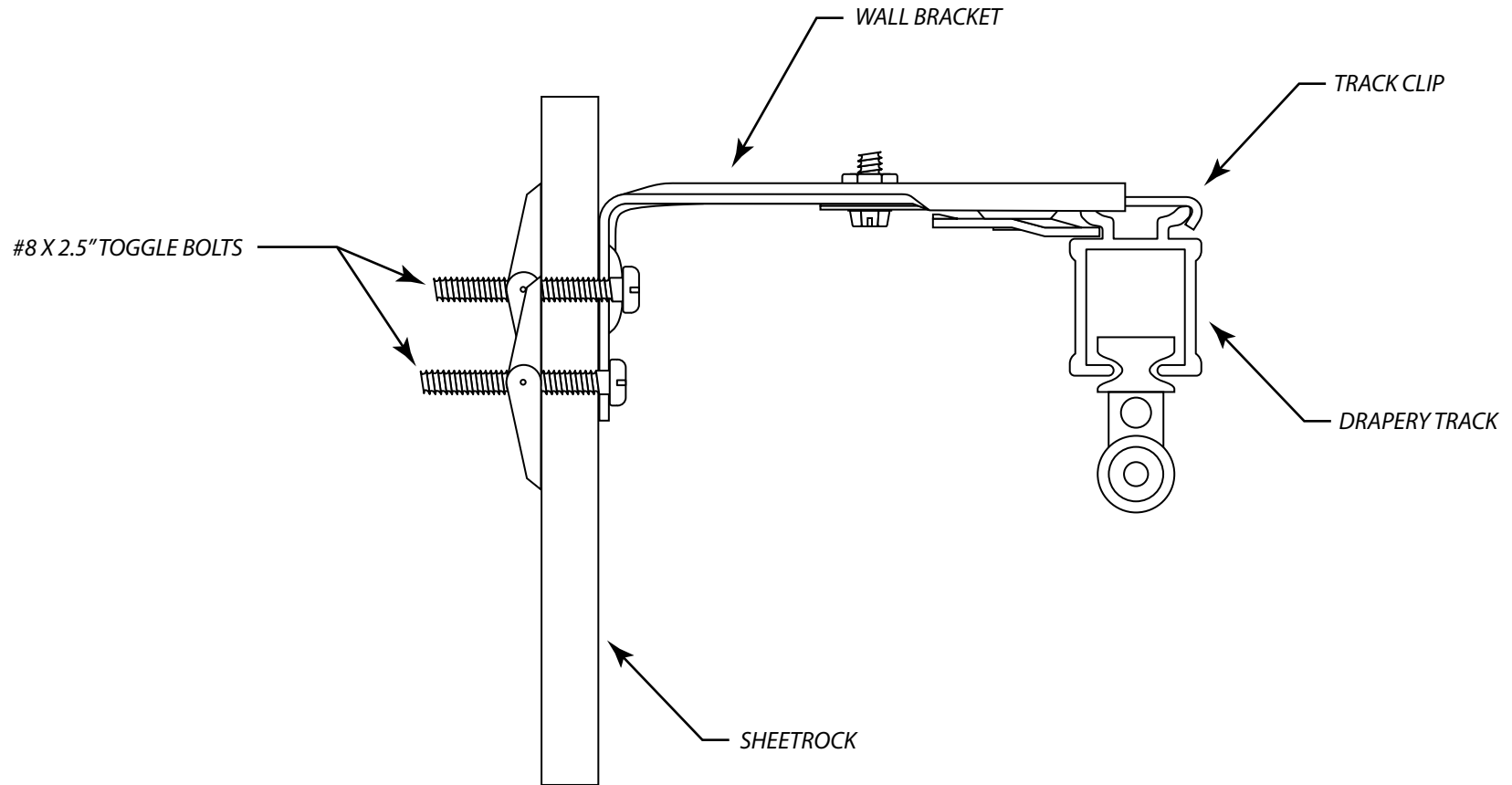



DRAPERY TRACKING INSTALLATION INSTRUCTIONS

8300 SERIES – SHEETROCK (DRYWALL) WALL INSTALLATION

The tools and materials that are required to install drapery track will vary depending upon the wall type. Fabtex does not provide the fasteners or the tools that are required to install drapery track. Fabtex does not assume liability on any installation method. The techniques listed here are merely industry recommendations.

1. Place the drapery track on the floor. Lay out the configurations to ensure that the track is positioned exactly where it is desired.
2. Begin on one end of the track; and mark the holes on the wall. Repeat this process on the track as well. Note: track should be secured at 24"- 30" intervals beginning on one end of the track.
3. Pre-drill the wall.
4. Anchor wall bracket via a 3" hex head bolt and wings. Toggle will be 1/8" in diameter. Slotted hex head or Robertson head is recommended.
5. If the track is spliced, check to ensure that there are no obstructions. Then place the track splice over one end of the track and secure via the steps listed above. Slide the other side of the track into the splice and secure with a fastener. This will ensure that the carriers will not bind at this location.
6. Make sure that both ends of the tracks and the end stops are secured to the wall.



CONFIDENTIAL All materials disclosed in this document are proprietary to Fabtex, Inc. The Holder agrees to maintain it in confidence and must not replicate or reveal this information in any manner.	Project: 8300 Series Tracking System Sheetrock Wall Mount Installation		 F A B T E X [®] (800) 778-2791 www.fabtex.com
	Date: 16-AUG-2016	Dimensions: Inches/Feet	
	Scale: DO NOT SCALE	By: C. Johnson	

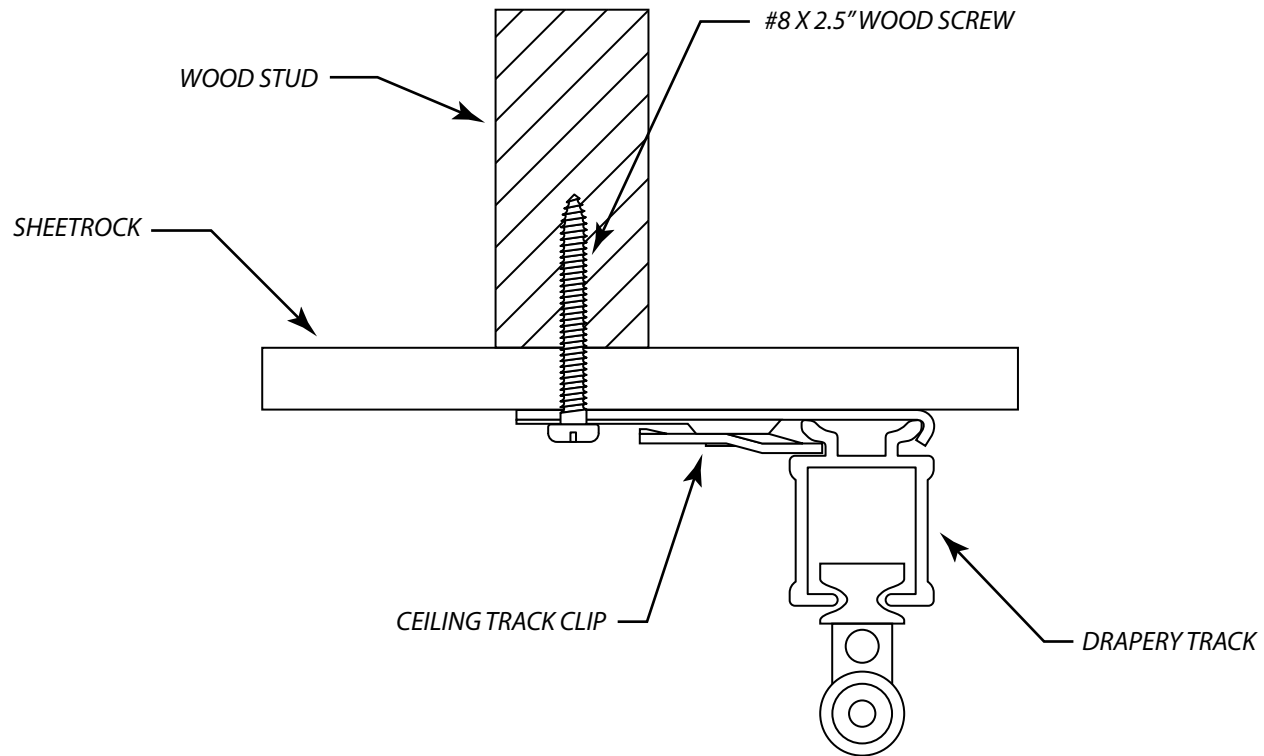


DRAPERY TRACKING INSTALLATION INSTRUCTIONS

8300 SERIES – WOOD CEILING INSTALLATION

The tools and materials that are required to install drapery track will vary depending upon the ceiling type. Fabtex does not provide the fasteners or the tools that are required to install drapery track. Fabtex does not assume liability on any installation method. The techniques listed here are merely industry recommendations.

1. Place the drapery track on the floor. Lay out the configurations to ensure that the track is positioned exactly where it is desired.
2. Begin on one end of the track; and mark the holes on the ceiling. Repeat this process on the track as well. Note: track should be secured at 24"- 30" intervals beginning on one end of the track.
3. Anchor track via a 2" #8 self-tapping screw hex head or pan head recommended. Track will be anchored directly to the wood block.
4. If the track is spliced, check to ensure that there are no obstructions. Then place the track splice over one end of the track and secure via the steps listed above. Slide the other side of the track into the splice and secure with a fastener. This will ensure that the carriers will not bind at this location.
5. Make sure that both ends of the tracks and the end stops are secured to the ceiling.



CONFIDENTIAL All materials disclosed in this document are proprietary to Fabtex, Inc. The Holder agrees to maintain it in confidence and must not replicate or reveal this information in any manner.	Project: 8300 Series Tracking System Wood Stud Installation	
	Date: 16-AUG-2016	Dimensions: Inches/Feet
	Scale: DO NOT SCALE	By: C. Johnson



F A B T E X[®]
 (800) 778-2791 www.fabtex.com

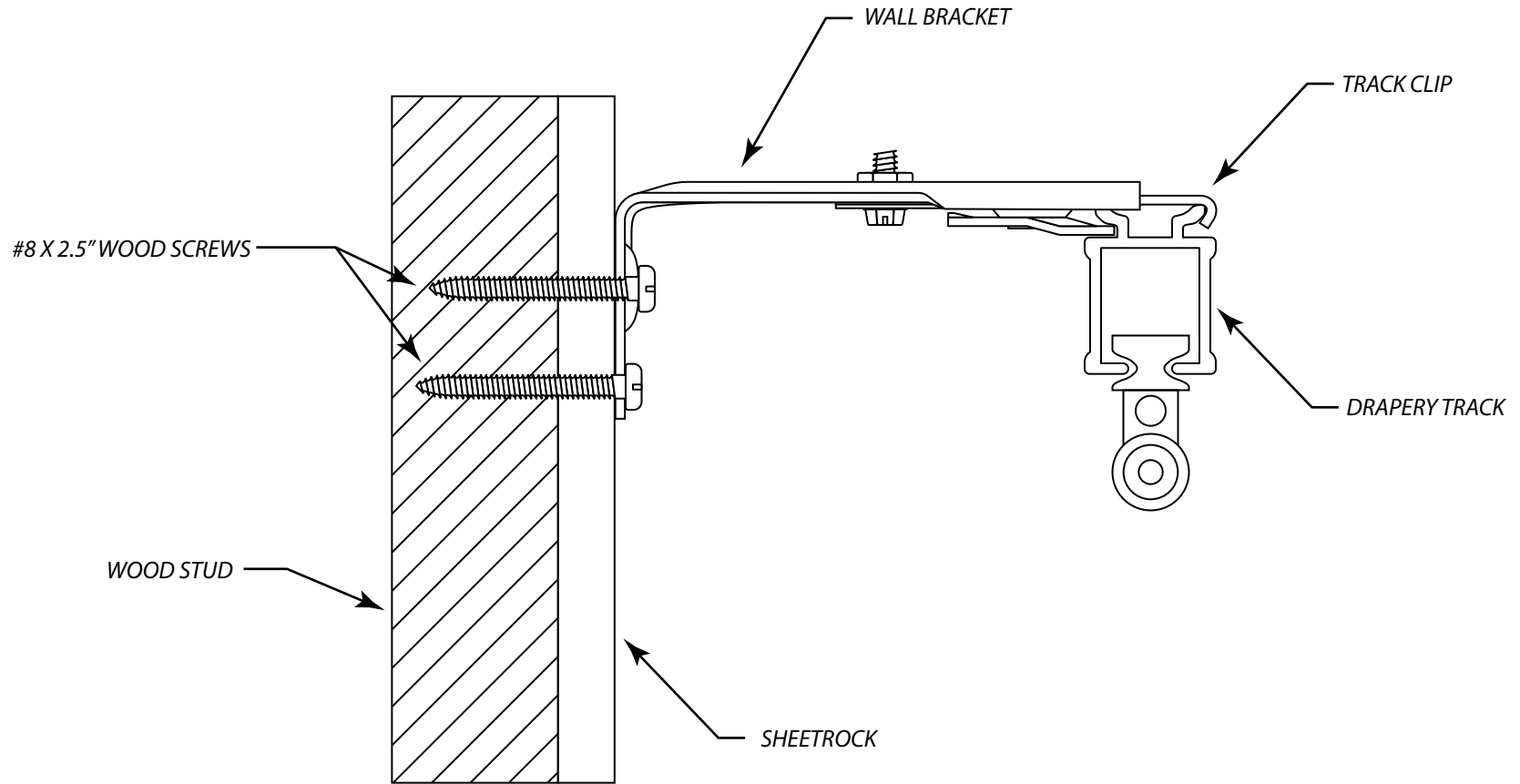


DRAPERY TRACKING INSTALLATION INSTRUCTIONS


8300 SERIES – WOOD WALL INSTALLATION

The tools and materials that are required to install drapery track will vary depending upon the wall type. Fabtex does not provide the fasteners or the tools that are required to install drapery track. Fabtex does not assume liability on any installation method. The techniques listed here are merely industry recommendations.

1. Place the drapery track on the floor. Lay out the configurations to ensure that the track is positioned exactly where it is desired.
2. Begin on one end of the track; and mark the holes on the wall. Repeat this process on the track as well. Note: track should be secured at 24"- 30" intervals beginning on one end of the track.
3. Anchor track via a 2" #8 self-tapping screw hex head or pan head recommended. Track will be anchored directly to the drop ceiling grid.
4. If the track is spliced, check to ensure that there are no obstructions. Then place the track splice over one end of the track and secure via the steps listed above. Slide the other side of the track into the splice and secure with a fastener. This will ensure that the carriers will not bind at this location.
5. Make sure that both ends of the tracks and the end stops are secured to the wall.



CONFIDENTIAL All materials disclosed in this document are proprietary to Fabtex, Inc. The Holder agrees to maintain it in confidence and must not replicate or reveal this information in any manner.	Project: 8300 Series Tracking System Wall Mount Installation	
	Date: 16-AUG-2016	Dimensions: Inches/Feet
	Scale: DO NOT SCALE	By: C. Johnson



F A B T E X[®]

(800) 778-2791 www.fabtex.com

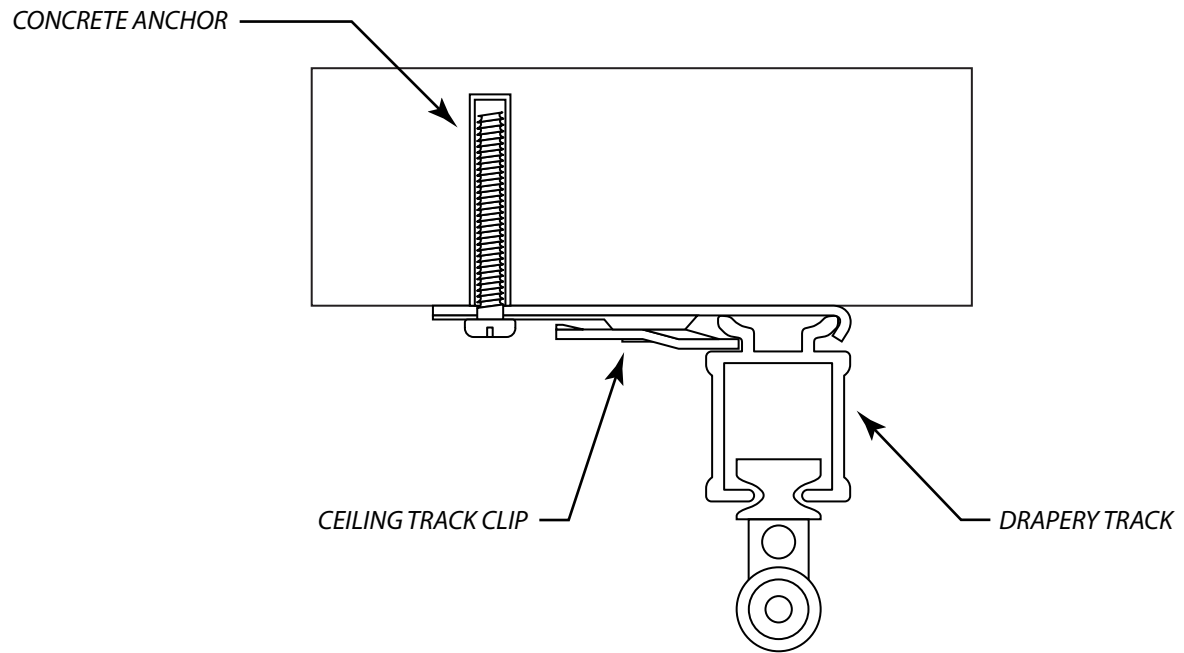


DRAPERY TRACKING INSTALLATION INSTRUCTIONS


8300 SERIES – CONCRETE CEILING INSTALLATION

The tools and materials that are required to install drapery track will vary depending upon the ceiling type. Fabtex does not provide the fasteners or the tools that are required to install drapery track. Fabtex does not assume liability on any installation method. The techniques listed here are merely industry recommendations.

1. Place the drapery track on the floor. Lay out the configurations to ensure that the track is positioned exactly where it is desired.
2. Begin on one end of the track; and mark the holes on the ceiling. Repeat this process on the track as well. Note: track should be secured at 24"- 30" intervals beginning on one end of the track.
3. Pre-drill the ceiling. Insert a 1 ¼" concrete anchor.
4. Anchor track via a 1 ¼" #8 self-tapping screw hex head or pan head recommended.
5. If the track is spliced, check to ensure that there are no obstructions. Then place the track splice over one end of the track and secure via the steps listed above. Slide the other side of the track into the splice and secure with a fastener. This will ensure that the carriers will not bind at this location.
6. Make sure that both ends of the tracks and the end stops are secured to the ceiling.



CONFIDENTIAL All materials disclosed in this document are proprietary to Fabtex, Inc. The Holder agrees to maintain it in confidence and must not replicate or reveal this information in any manner.	Project: 8300 Series Tracking System Concrete Installation	
	Date: 16-AUG-2016	Dimensions: Inches/Feet
	Scale: DO NOT SCALE	By: C. Johnson



F A B T E X[®]
 (800) 778-2791 www.fabtex.com

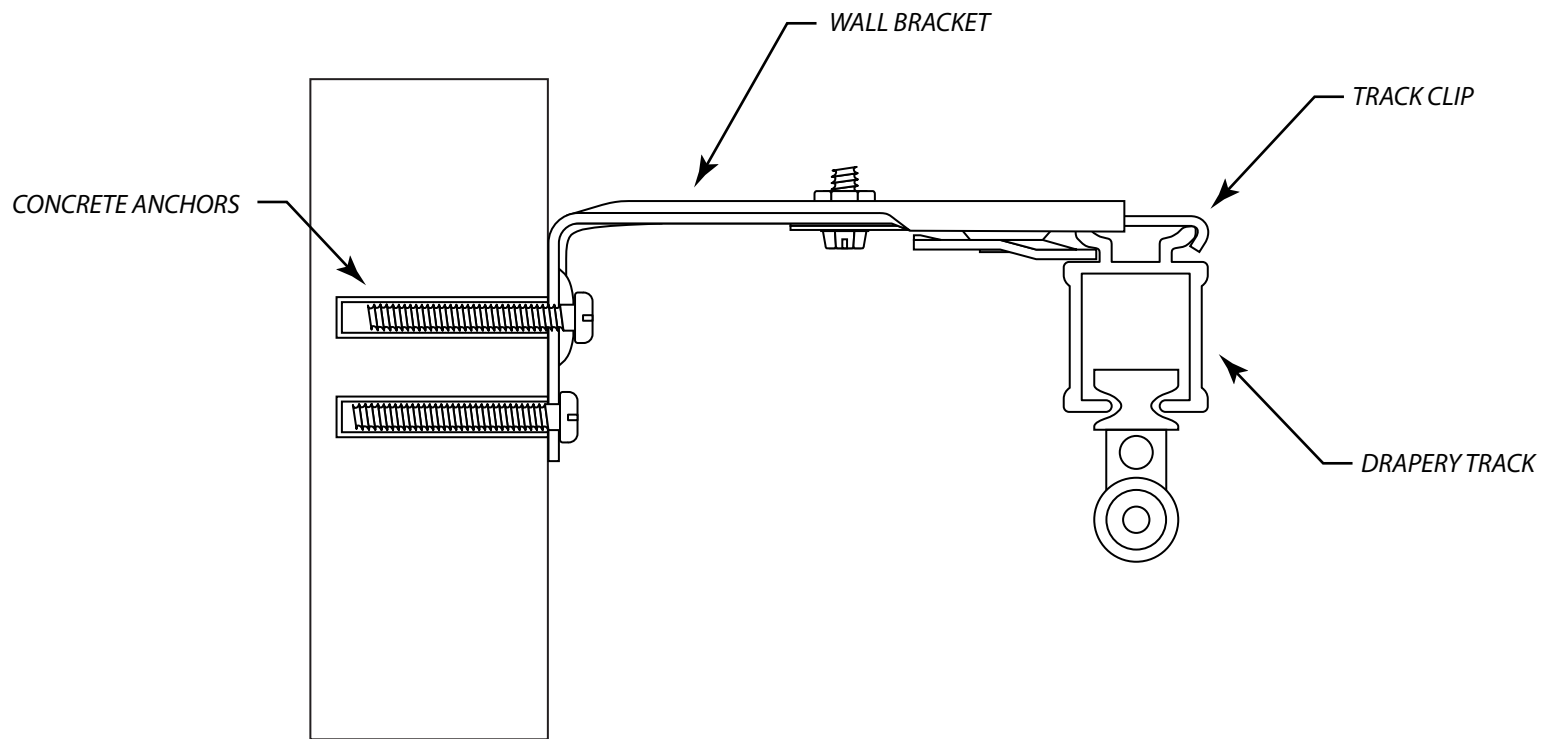



DRAPERY TRACKING INSTALLATION INSTRUCTIONS

8300 SERIES – CONCRETE WALL INSTALLATION

The tools and materials that are required to install drapery track will vary depending upon the wall type. Fabtex does not provide the fasteners or the tools that are required to install drapery track. Fabtex does not assume liability on any installation method. The techniques listed here are merely industry recommendations.

1. Place the drapery track on the floor. Lay out the configurations to ensure that the track is positioned exactly where it is desired.
2. Begin on one end of the track; and mark the holes on the wall. Repeat this process on the track as well. Note: track should be secured at 24"- 30" intervals beginning on one end of the track.
3. Pre-drill the wall. Insert a 1 ¼" concrete anchor.
4. Anchor wall bracket via a 1 ¼" #8 self-tapping screw hex head or pan head recommended.
5. If the track is spliced, check to ensure that there are no obstructions. Then place the track splice over one end of the track and secure via the steps listed above. Slide the other side of the track into the splice and secure with a fastener. This will ensure that the carriers will not bind at this location.
6. Make sure that both ends of the tracks and the end stops are secured to the wall.



CONFIDENTIAL All materials disclosed in this document are proprietary to Fabtex, Inc. The Holder agrees to maintain it in confidence and must not replicate or reveal this information in any manner.	Project: 8300 Series Tracking System Concrete Wall Installation	
	Date: 16-AUG-2016	Dimensions: Inches/Feet
	Scale: DO NOT SCALE	By: C. Johnson
		(800) 778-2791 www.fabtex.com



DRAPERY TRACKING SPECIFICATIONS – 8300 SERIES

DIVISION 12 22 16

Part 1 – General

1.1 Summary

- A. Work included in this Section: Provision of drapery and track.
- B. Related Work Not Included in this Section: Backing for drapery tracks.

1.2 System Description

- A. Performance Requirements
 - 1. Provide draperies that conform to the following requirements of regulatory agencies and the quality control of the Fabtex, Inc.
- B. Fire Performance Characteristics
 - 1. Provide curtains that conform to NFPA 701 (Fire Tests for Flame and Resistant Textiles and Films) and California Title 17 regulations.

1.3 Submittals

- A. Product Data
 - 1. Manufacturer's printed product data for each type of drapery specified.
- B. Fabric Samples
 - 1. Swatch cards of fabric (memo) samples illustrating fabric color and weave.
- C. Track Samples
 - 1. Verification samples of drapery track, 6 inch (152.4mm) long, in full size with carriers and end caps.

1.4 Delivery, Storage and Handling

- A. Deliver and store packaged products in original containers with seals unbroken and labels intact until time of use.
- B. Inspect materials at delivery to assure that specified products have been received.
- C. Store delivered products inside in a clean, safe and dry environment.

1.5 Warranty

- A. Standard Fabtex Limited Warranty against material and manufacturing defects for a period of 1 year from the date of the installation.

Part 2 – Products

2.1 Fabtex 8300 Series Drapery Track

- A. Description: Ceiling or wall mounted aluminum track with matching splices; carriers or slides; cordless hand traverse operations.
- B. Acceptable manufacturer
 - 1. Fabtex Inc., (800) 778-2791 in accordance with specifications, drawings, and contract documents.
- C. Substitutions: Not Permitted
- D. Provide all drapery tracks from a single source.
- E. Construction:
 - 1. Drapery Track System: Fabtex 8300 Series heavy duty extruded aluminum drapery track systems.
 - 2. Track to be delivered in straight lengths up to 18 feet (5.49m).

2.2 Drapery

- A. Description: 100% polyester draperies. Fabric is to be dry cleanable and flame retardant.
- B. Acceptable Manufacturer
 - 1. Fabtex Inc., (800) 778-2791 in accordance with specifications, drawings, and contract documents.
- C. Substitutions: Not Permitted
- D. Provide all draperies from a single source.
- E. Drapery Styles (select one)
 - 1. Pinch Pleated

DRAPERY TRACKING SPECIFICATIONS – 8300 SERIES



DIVISION 12 22 16

Part 2 – Products (continued)

2. Accordia-Fold
3. Ripple-Fold
- F. Construction:
 1. Height of draperies to be from 1 inch (25mm) below ceiling or wall mounted track to a distance of not more than 1 inch (25mm) from the floor. Unless otherwise noted.
 2. Draperies to have minimum of 200 percent (double) fullness, width to be determined by length of track to ensure proper enclosure.
 3. Form top and bottom hems by a double fold securely sewn with edges and panels seams 4 inch (102mm) overlapped lock stitched.
 4. Provide pin hooks per every pleat or snap tape as appropriate for the construction of the drapery.
 5. Sew a Fabtex identification label and cleaning instructions on the top hem of each drapery to identify the size of the drapery.
 6. Fabricate curtains with a polyester or blackout lining to be sewn to each drapery.
 7. Fabric railroading: Vertical striped patterns are to be railroaded. All other patterns will be pattern matched and sewn with vertical seams.
 8. Plaids: Cut plaid pattern materials utilizing a straight edge; thread pulling to mark cutting line is not an acceptable method.
- G. Fabric:
 1. Fabric Selection
 - a. Select solid or patterned fabric from manufacturer's selection.
 2. Lining Selection
 - a. Select blackout lining or polyester lining from the standard selection of samples from the Fabtex, Inc.

Part 3 – Execution

- 3.1 Preparation
 - A. Coordinate details with other work supporting, adjoining, or otherwise contacting items as required to insure proper installation.
 - B. Verify that surfaces and above ceiling supports/backing are installed by the general contractor and are ready to receive work.
 1. Exposed finishes have been applied, and setting conditions are dry, clean, and otherwise proper for installation.
- 3.2 Examination
 - A. Examine construction to support, adjoin, or otherwise contact and verify that:
 1. Dimensions are correct.
 2. Backing is available and installed where required.
 - B. Do not install items until unsatisfactory conditions have been corrected.
- 3.3 Installation
 - A. Install track in accordance with approved Fabtex, Inc. recommendations and reviewed Shop Drawings.
 - B. Typical Fastenings
 1. Use machine screws or bolts to metal backing.
 - C. Drill and tap mounting surfaces for mounting hardware as required.
 - D. Install track in one piece when less than 18 feet (5.49m) long and with no more than one splice for each additional 18 feet (5.49m).
 - E. Butt Joints
 1. Secure with splices.
 - F. Carriers / Slides



DRAPERY TRACKING SPECIFICATIONS – 8300 SERIES

DIVISION 12 22 16

Part 3 – Execution (continued)

1. Furnish one carrier or slide per every pin hook or snap of drapery.
 - G. End Caps
 1. Provide at both ends with return attachment.
 - H. Furnish tag designating proper size drapery at return of each curtain.
- 3.4 Cleaning
- A. At completion of installation, remove any debris and clean surfaces in accordance with Fabtex, Inc. clean-up and maintenance instructions.