The background of the page is a light gray architectural floor plan, showing various rooms, corridors, and structural elements. The plan is oriented diagonally, with the top-left corner of the page being the top-left of the plan. The lines of the plan are thin and light gray, creating a subtle grid-like pattern.

**F A B T E X**

5000 Series Drapery Tracking

A solid orange circle is positioned on the right side of the page, partially cut off by the edge. It is located to the right of the main text and below the top half of the page.

## **Contents**

Parts and Descriptions	<b>3</b>
Assembly & Care Instructions	<b>5</b>
Installation	
Drop Ceiling	<b>14</b>
Drywall	<b>18</b>
On Wood	<b>22</b>
On Concrete	<b>26</b>
Specifications	<b>30</b>



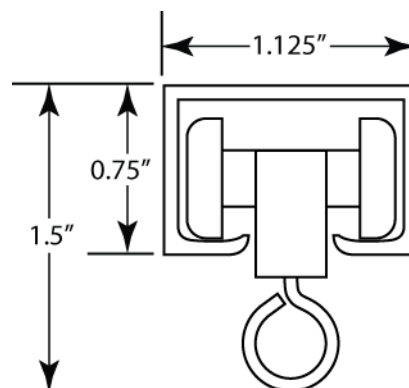
# DRAPERY TRACKING AND PARTS DESCRIPTIONS

## 5000 SERIES

### GENERAL DESCRIPTIONS

#### ***Drapery Track***

Drapery track system shall be Fabtex Model Number 5000 complete with 1-1/8" x 3/4" extruded aluminum track channel, master carriers, carriers, end pulleys, and other required accessories for a complete and operational track system. Track channel available in continuous lengths up to 20 feet.



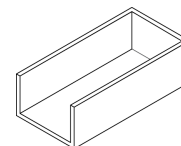
### COMPONENT DESCRIPTIONS

#### ***5000-RNG Carrier with Metal Ring***

Carrier shall be constructed of natural nylon body with molded in loop and nickel plated steel ring for curtain attachment. Body supported from two natural nylon wheels fastened by plated steel rivet.

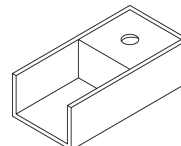
#### ***5000-03 End Stop***

End stop of .032" minimum sheet aluminum die-formed with commercial clear anodized finish.



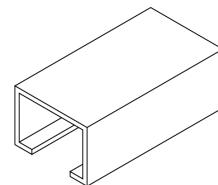
#### ***5000-04 End Stop with Pull-Out***

End stops of .032" minimum sheet aluminum die-formed with commercial clear anodized finish. Pull-out of .032" minimum sheet aluminum die-formed and anodized with commercial clear finish. Plated machine screw permits removal of pull-out for access to track carriers.



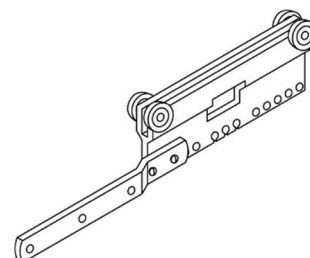
#### ***5000-05 Splice***

Splice shall be made from extruded 6063-T5 aluminum with commercial clear anodized finish.



#### ***5000-21 Drapery Master Carrier with Offset Arm***

Drapery master carrier with offset arm shall be made from heavy gauge nickel plated steel with attachment holes along the top. An offset arm made from heavy gauge nickel plated steel shall be provided to allow overlapping of the drapery ends. This master carrier will not work with tracks that are straight (not custom bent).





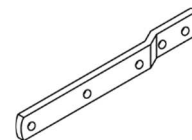
# DRAPERY TRACKING AND PARTS DESCRIPTIONS

## 5000 SERIES

### COMPONENT DESCRIPTIONS (CONTINUED)

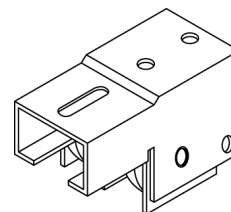
#### **5000-23 Offset Arm**

Offset arm made from heavy gauge nickel plated steel with attachment holes along its length.



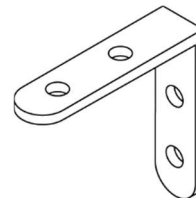
#### **5000-24 End Pulley**

Drapery End Pulley enables the 5000 series track to be utilized as a traverse cord drawn drapery track. Each pulley is fabricated from heavy duty nickel plated steel. End pulleys can only be utilized on a straight length (Diamond Drapery Track Configuration #1) of 5000 series track and must be used in pairs. The 5000-21 master carrier enables the draperies to overlap and provides optimum coverage.



#### **5000-31 Wall Bracket 2x2**

A 2" x 2" steel 90 degree angle bracket, with 4 holes. 12 gauge metal construction with a silver galvanized finish. Enables the 5000 series track to be installed on a wall. Attachment holes on this bracket provide for easy installation.







# ASSEMBLY INSTRUCTIONS

## 5000 SERIES DRAPERY TRACK

### *Pinch Pleated Draperies Configured as a Panel*

Cut track to length and attach end stops (use End Stops in pairs: one with a pull-out, and one without). Secure track to ceiling or wall (see installation instructions). Once track is securely mounted, remove pull-out from end stop, insert the required number of carriers (all standard carriers and one master carrier), and reinsert pull-out into the end stop. To install the drapery, carefully slide the pin hooks, located at the top of the drapery, through the loops on each of the carriers. To make the drapery a true one-way treatment, secure the last carrier (the carrier farthest away from the master carrier) in place with a screw.

For smoother operation, lightly spray the inside of the track with an aerosol silicone lubricant. Depending upon environment, clean and re-lubricate as necessary.

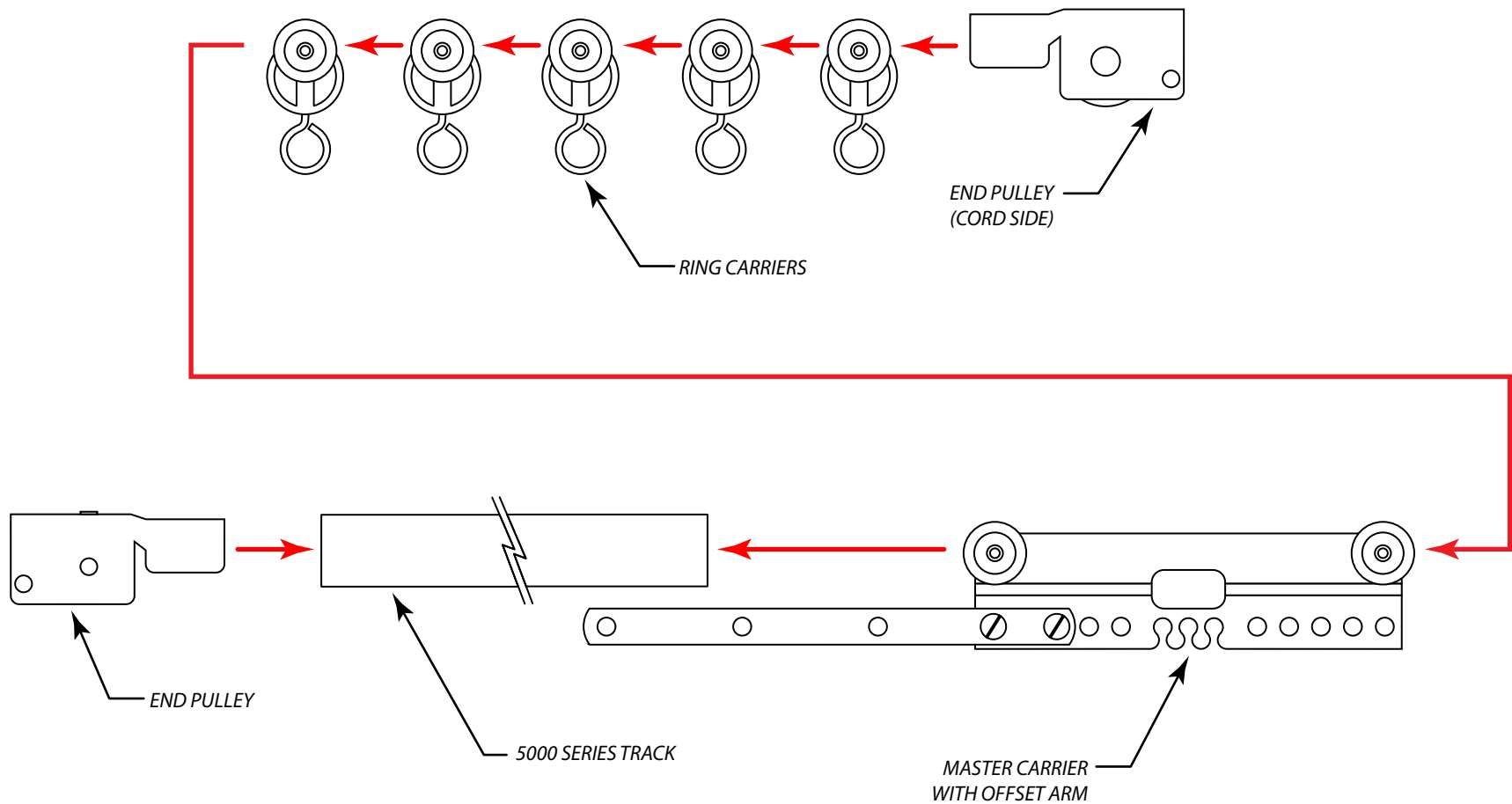
**Note!** For heavy-duty cord draw drapery configuration, the end stops can be replaced with End Pulleys (part #5000-21) and heavy-duty nylon cord added. The routing of the cord and subsequent proper operation is a fairly complex procedure that requires professional assembly.

### *Pinch Pleated Draperies Configured as a Pair*

Cut track to length and attach end stops (use End Stops in pairs: one with a pull-out, and one without). Secure track to ceiling or wall (see installation instructions). Once track is securely mounted, remove pull-out from end stop, insert the required number of carriers (half of the standard carriers, both master carriers, and the remaining standard carriers), and reinsert pull-out into the end stop. To install the drapery, carefully slide the pin hooks, located at the top of the drapery, through the loops on each of the carriers. Each panel of the drapery will begin at the outer edge and end at the center with a master carrier. The master carrier with the offset arm will allow the paired drapery to overlap in the middle, creating a gap-free center closure. Secure each of the outside end carriers in place with a screw.

For smoother operation, lightly spray the inside of the track with an aerosol silicone lubricant. Depending upon environment, clean and re-lubricate as necessary.

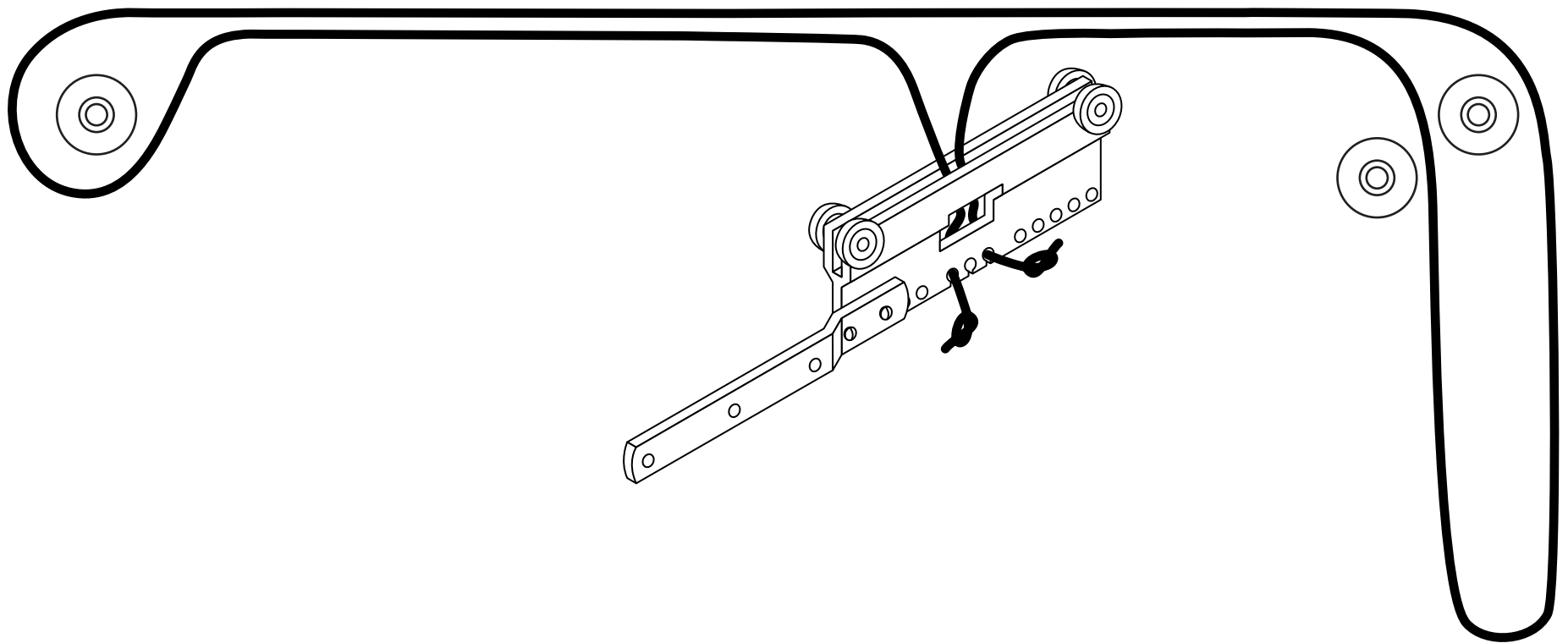
**Note!** For heavy-duty cord draw drapery configuration, the end stops can be replaced with End Pulleys (part #5000-21) and heavy-duty nylon cord added. The routing of the cord and subsequent proper operation is a fairly complex procedure that requires professional assembly.



<b>CONFIDENTIAL</b> All materials disclosed in this document are proprietary to Fabtex, Inc. The Holder agrees to maintain it in confidence and must not replicate or reveal this information in any manner.	<b>Project:</b> 5000 Series Drapery Tracking System Pinch Pleat, Panel, Stack Right	
	<b>Date:</b> 15-AUG-2016	<b>Dimensions:</b> Inches/Feet
	<b>Scale:</b> DO NOT SCALE	<b>By:</b> C. Johnson

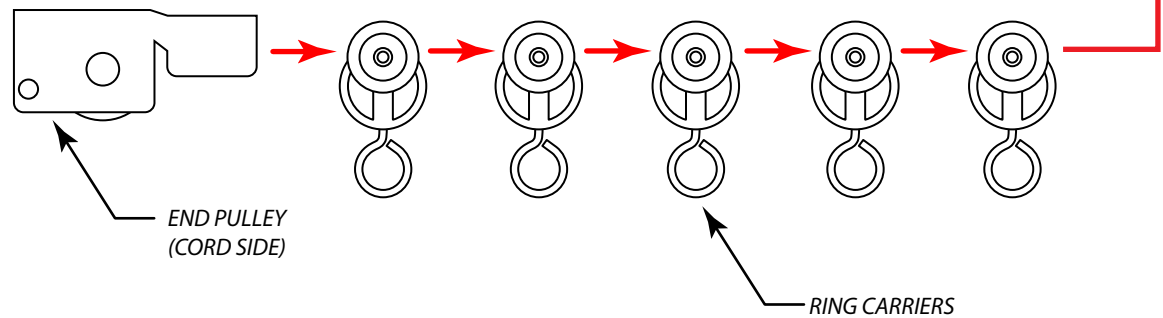
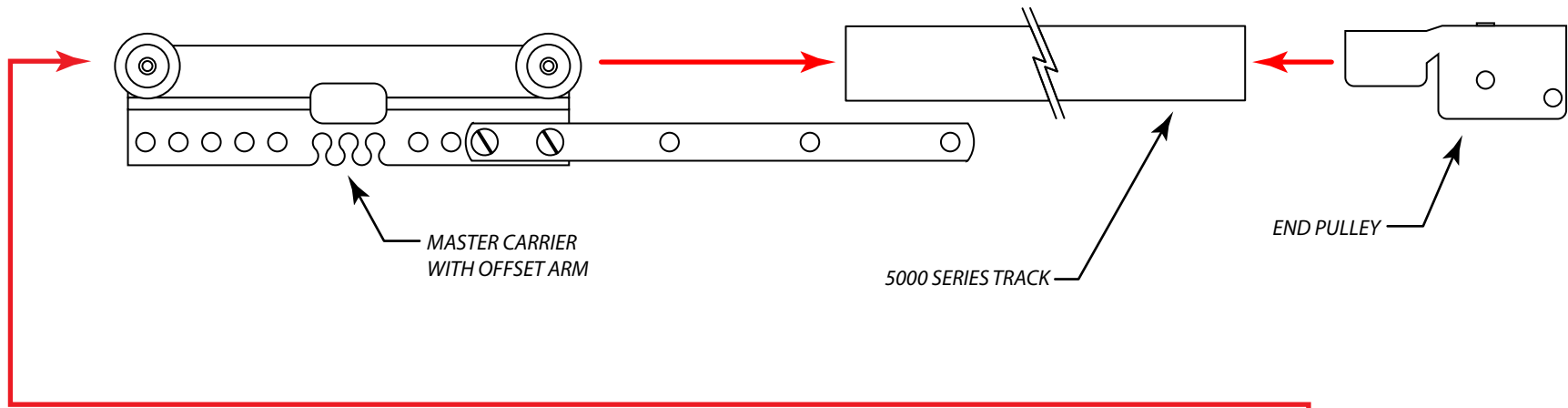


**F A B T E X**<sup>®</sup>  
 (800) 778-2791      www.fabtex.com



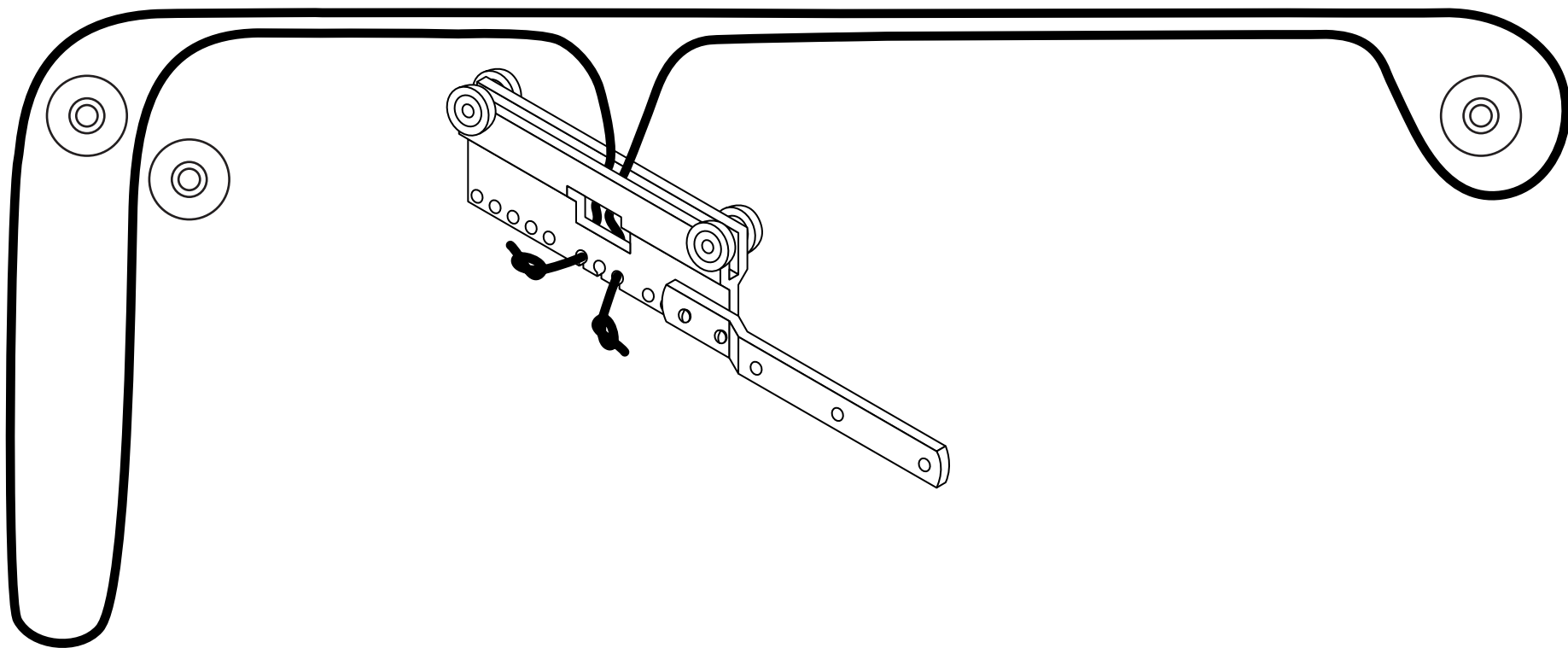
<b>CONFIDENTIAL</b> All materials disclosed in this document are proprietary to Fabtex, Inc. The Holder agrees to maintain it in confidence and must not replicate or reveal this information in any manner.	<b>Project:</b> 5000 Series Drapery Tracking System Cord Assembly, Stack Right Panel	
	<b>Date:</b> 15-AUG-2016	<b>Dimensions:</b> Inches/Feet
	<b>Scale:</b> DO NOT SCALE	<b>By:</b> C. Johnson




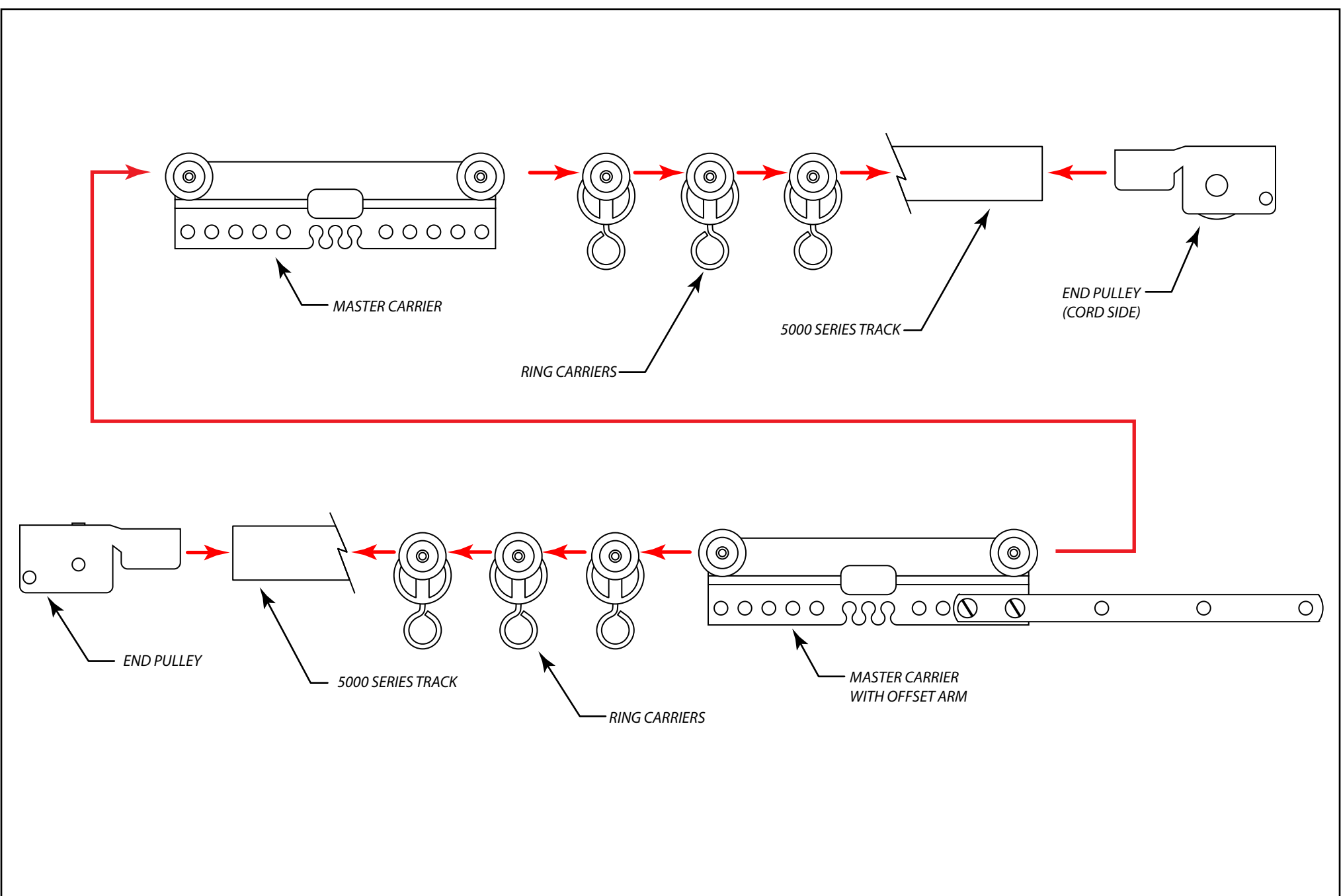


<b>CONFIDENTIAL</b> All materials disclosed in this document are proprietary to Fabtex, Inc. The Holder agrees to maintain it in confidence and must not replicate or reveal this information in any manner.	<b>Project:</b> 5000 Series Drapery Tracking System Pinch Pleat, Panel, Stack Left	
	<b>Date:</b> 15-AUG-2016	<b>Dimensions:</b> Inches/Feet
	<b>Scale:</b> DO NOT SCALE	<b>By:</b> C. Johnson

**F A B T E X**<sup>®</sup>  
 (800) 778-2791    www.fabtex.com

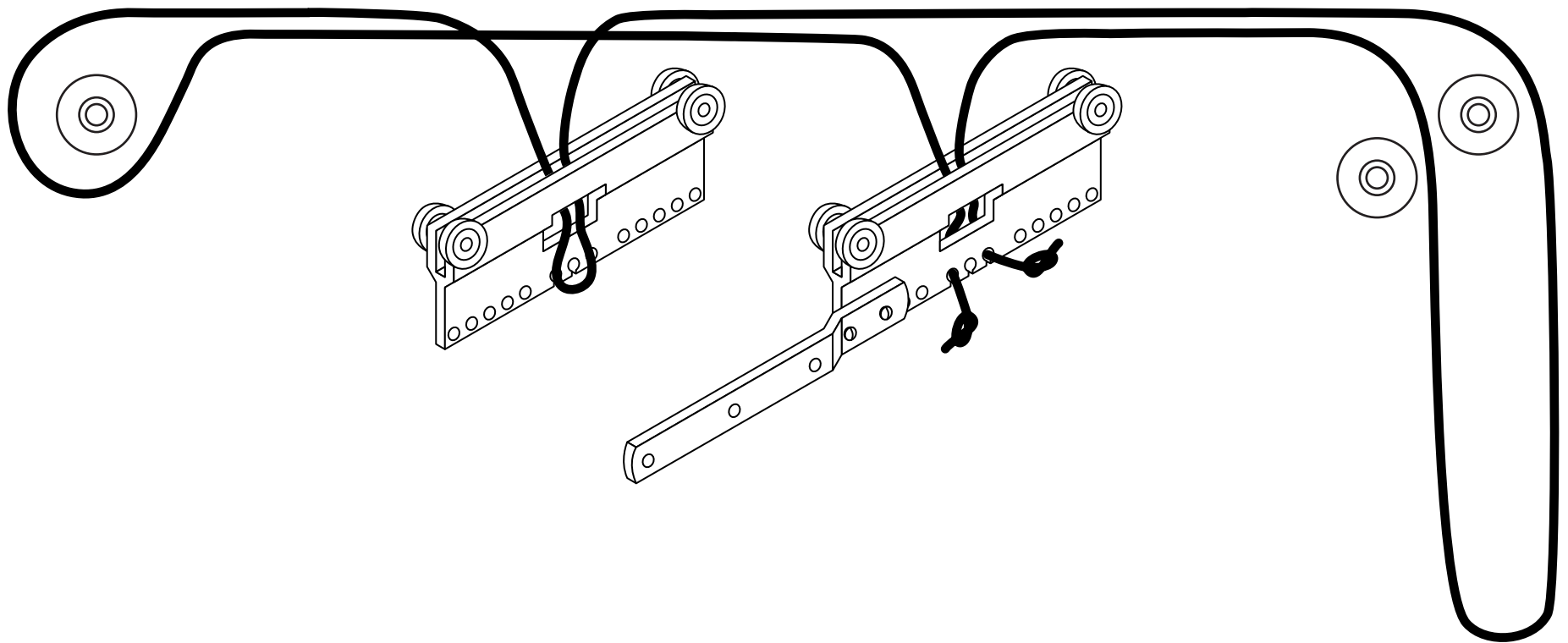



<b>CONFIDENTIAL</b> All materials disclosed in this document are proprietary to Fabtex, Inc. The Holder agrees to maintain it in confidence and must not replicate or reveal this information in any manner.	<b>Project:</b> 5000 Series Drapery Tracking System Cord Assembly, Stack Left Panel	
	<b>Date:</b> 15-AUG-2016	<b>Dimensions:</b> Inches/Feet
	<b>Scale:</b> DO NOT SCALE	<b>By:</b> C. Johnson
	 <b>F A B T E X</b> <sup>®</sup> (800) 778-2791 <a href="http://www.fabtex.com">www.fabtex.com</a>	

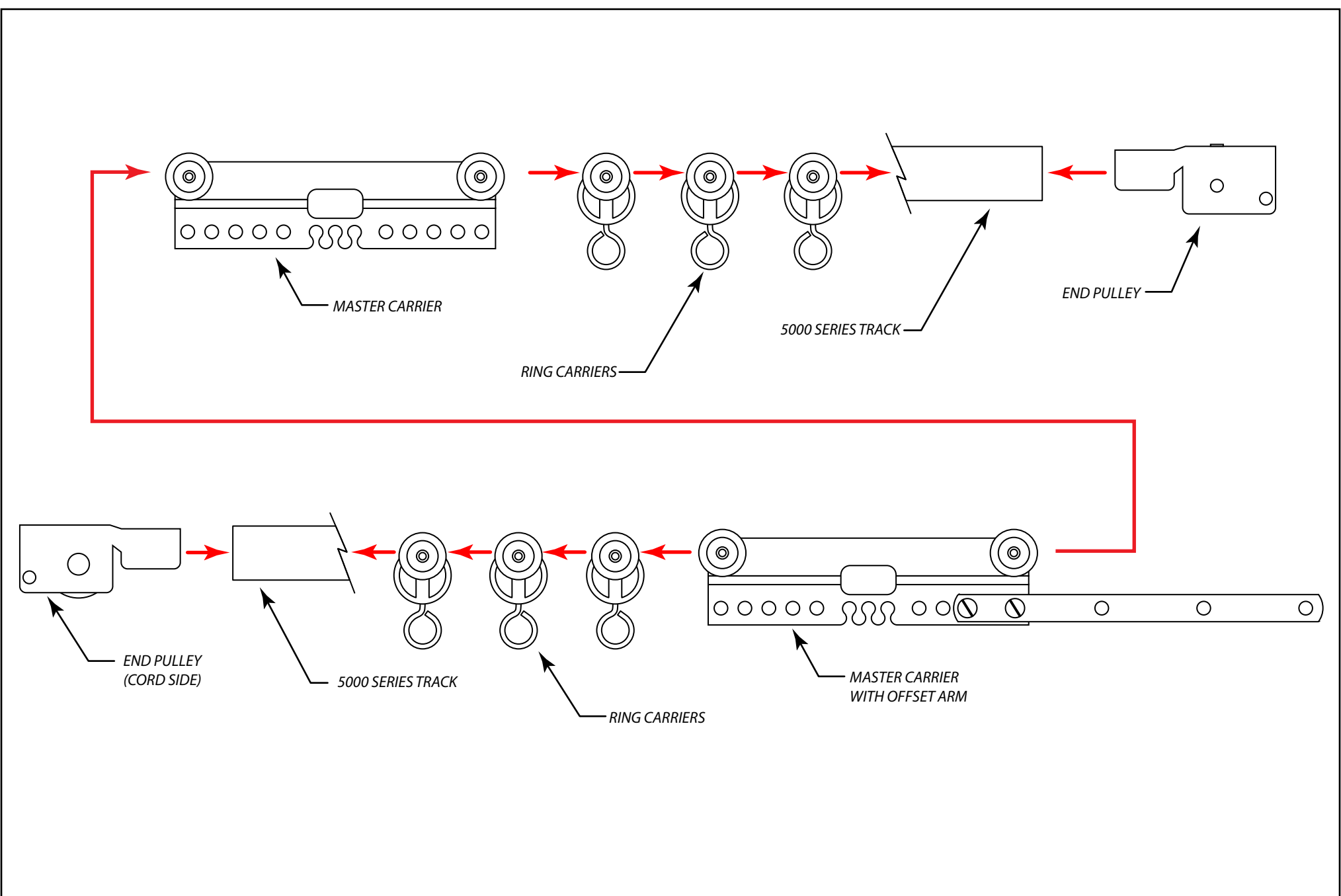


<b>CONFIDENTIAL</b> All materials disclosed in this document are proprietary to Fabtex, Inc. The Holder agrees to maintain it in confidence and must not replicate or reveal this information in any manner.	<b>Project:</b> 5000 Series Drapery Tracking System Pinch Pleat, Pair, Control Right	
	<b>Date:</b> 15-AUG-2016	<b>Dimensions:</b> Inches/Feet
	<b>Scale:</b> DO NOT SCALE	<b>By:</b> C. Johnson

**FABTEX®**  
 (800) 778-2791    www.fabtex.com



<b>CONFIDENTIAL</b> All materials disclosed in this document are proprietary to Fabtex, Inc. The Holder agrees to maintain it in confidence and must not replicate or reveal this information in any manner.	<b>Project:</b> 5000 Series Drapery Tracking System Cord Assembly, Pair, Control Right		 <b>F A B T E X</b> <sup>®</sup> (800) 778-2791 <a href="http://www.fabtex.com">www.fabtex.com</a>
	<b>Date:</b> 15-AUG-2016	<b>Dimensions:</b> Inches/Feet	
	<b>Scale:</b> DO NOT SCALE	<b>By:</b> C. Johnson	



MASTER CARRIER

RING CARRIERS

5000 SERIES TRACK


END PULLEY

END PULLEY  
(CORD SIDE)

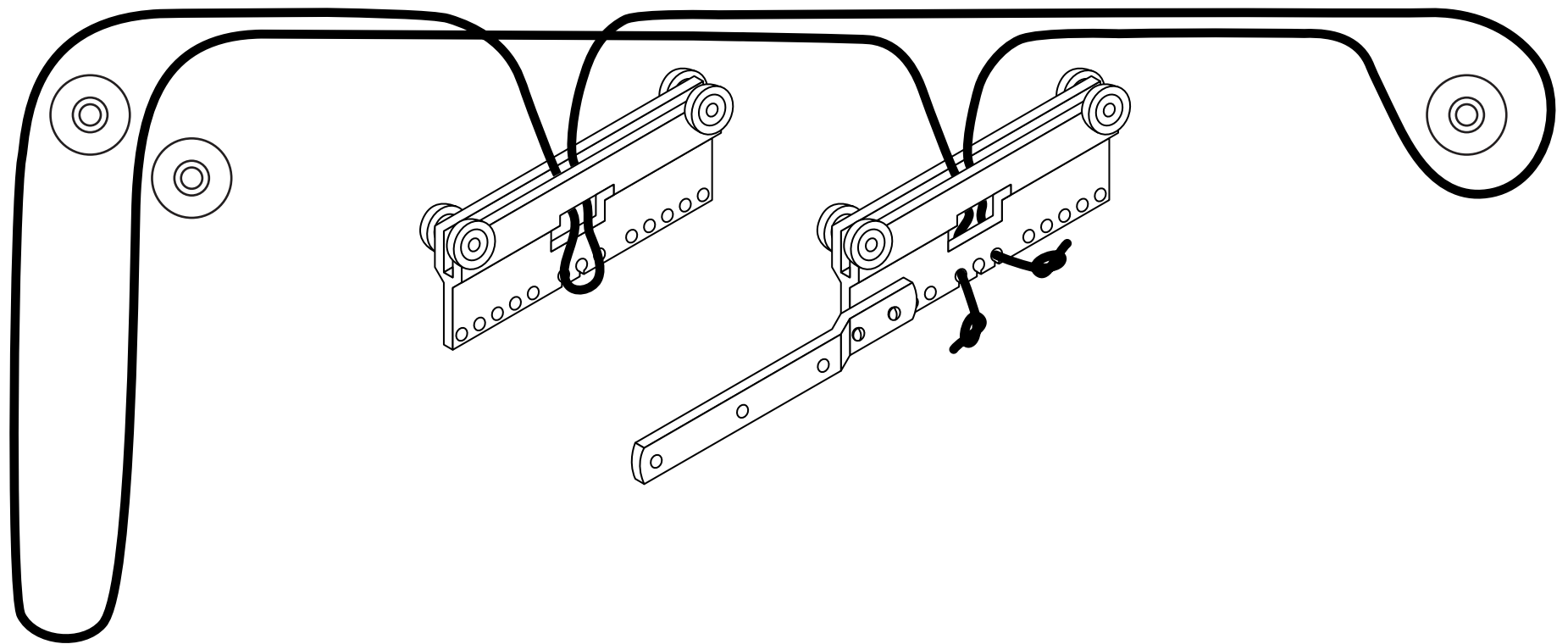
5000 SERIES TRACK


RING CARRIERS

MASTER CARRIER  
WITH OFFSET ARM

<p><b>CONFIDENTIAL</b></p> <p>All materials disclosed in this document are proprietary to Fabtex, Inc. The Holder agrees to maintain it in confidence and must not replicate or reveal this information in any manner.</p>	<p><b>Project:</b></p> <p>5000 Series Drapery Tracking System Pinch Pleat, Pair, Control Left</p>	 <p><b>F A B T E X</b><sup>®</sup></p> <p>(800) 778-2791    <a href="http://www.fabtex.com">www.fabtex.com</a></p>	
	<p><b>Date:</b></p> <p>15-AUG-2016</p>		<p><b>Dimensions:</b></p> <p>Inches/Feet</p>
	<p><b>Scale:</b></p> <p>DO NOT SCALE</p>		<p><b>By:</b></p> <p>C. Johnson</p>





<b>CONFIDENTIAL</b> All materials disclosed in this document are proprietary to Fabtex, Inc. The Holder agrees to maintain it in confidence and must not replicate or reveal this information in any manner.	<b>Project:</b> 5000 Series Drapery Tracking System Cord Assembly, Pair, Control Left	 <b>F A B T E X</b> <sup>®</sup>		
	<b>Date:</b> 15-AUG-2016			<b>Dimensions:</b> Inches/Feet
	<b>Scale:</b> DO NOT SCALE	<b>By:</b> C. Johnson	<b>(800) 778-2791</b>	<b>www.fabtex.com</b>

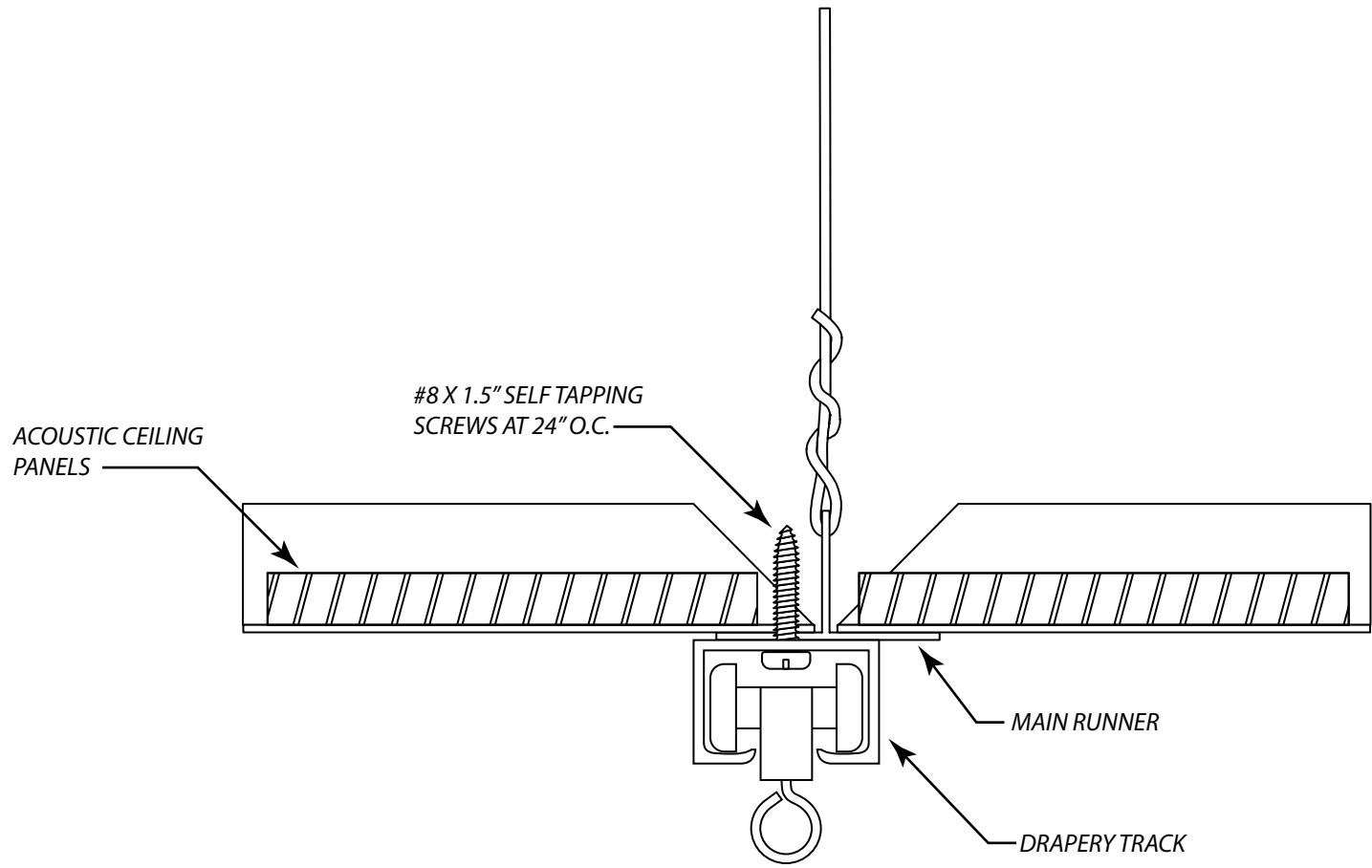


# DRAPERY TRACKING INSTALLATION INSTRUCTIONS

## ***5000 SERIES – DROP CEILING GRID INSTALLATION***

The tools and materials that are required to install cubicle track will vary depending upon the ceiling type. Fabtex does not provide the fasteners or the tools that are required to install cubicle track. Fabtex does not assume liability on any installation method. The techniques listed here are merely industry recommendations.

1. Place the privacy track on the floor. Lay out the configurations to ensure that the track is positioned exactly where it is desired.
2. Begin on one end of the track; and mark the holes on the ceiling. Repeat this process on the track as well. Note: track should be secured at 24"- 30" intervals beginning on one end of the track.
3. Decide which end of the track will receive the end stop with pull-out.
4. Pre-drill the track. Anchor track via a 2" #8 self-tapping screw hex head or pan head recommended. Track will be anchored directly to the drop ceiling grid.
5. If the track is spliced, check to ensure that there are no obstructions. Then place the track splice over one end of the track and secure via the steps listed above. Slide the other side of the track into the splice and secure with a fastener. This will ensure that the carriers will not bind at this location.
6. Make sure that both ends of the tracks and the end stops are secured to the ceiling.
7. Remove the pull-out and begin assembly (refer to assembly instructions).



<b>CONFIDENTIAL</b> All materials disclosed in this document are proprietary to Fabtex, Inc. The Holder agrees to maintain it in confidence and must not replicate or reveal this information in any manner.	<b>Project:</b> 5000 Series Drapery Tracking System Drop Ceiling Installation	
	<b>Date:</b> 15-AUG-2016	<b>Dimensions:</b> Inches/Feet
	<b>Scale:</b> DO NOT SCALE	<b>By:</b> C. Johnson

**F A B T E X**<sup>®</sup>  
 (800) 778-2791      www.fabtex.com

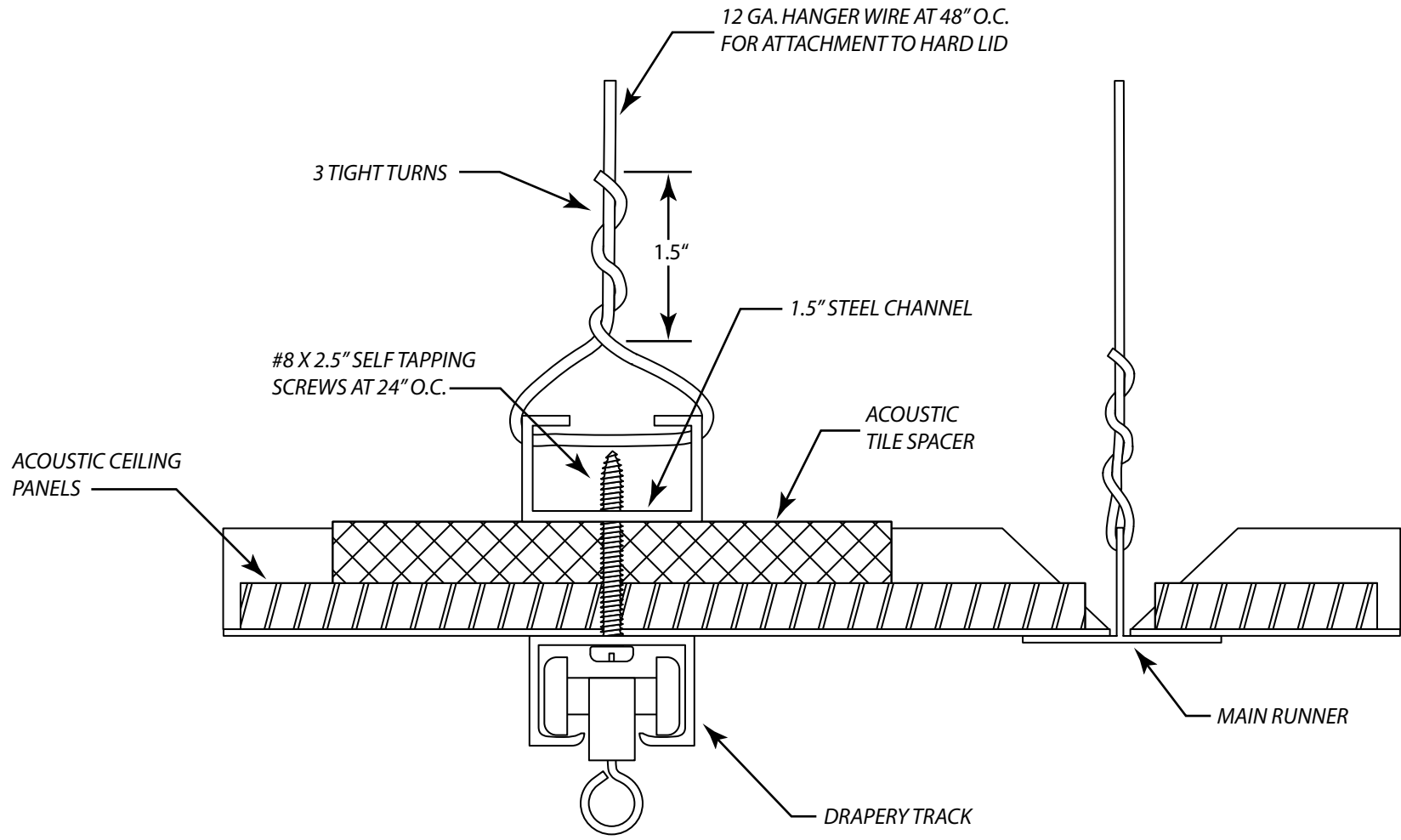


# DRAPERY TRACKING INSTALLATION INSTRUCTIONS

## ***5000 SERIES – DROP CEILING GRID WITH CHANNEL BACKING INSTALLATION***

The tools and materials that are required to install cubicle track will vary depending upon the ceiling type. Fabtex does not provide the fasteners or the tools that are required to install cubicle track. Fabtex does not assume liability on any installation method. The techniques listed here are merely industry recommendations.

1. Place the privacy track on the floor. Lay out the configurations to ensure that the track is positioned exactly where it is desired.
2. Begin on one end of the track; and mark the holes on the ceiling. Repeat this process on the track as well. Note: track should be secured at 24" on center intervals beginning on one end of the track.
3. Decide which end of the track will receive the end stop with pull-out.
4. Pre-drill the track.
5. Decide where the 1 ½" channel will be laid flat directly above the track.
6. Attach 12 gauge hangar wires at 48" intervals on center.
7. Secure hangar wire to the 1 ½" channel backing with three tight turns. Turns should be completed within 1 ½".
8. Anchor track via a 2 ½" #8 self-tapping screw hex head or pan head recommended. Track will be anchored directly to the 1 ½" channel. Track must be secured at 24" intervals on center to the 1 ½" channel.
9. If the track is spliced, check to ensure that there are no obstructions. Then place the track splice over one end of the track and secure via the steps listed above. Slide the other side of the track into the splice and secure with a fastener. This will ensure that the carriers will not bind at this location.
10. Make sure that both ends of the tracks and the end stops are secured to the ceiling.
11. Remove the pull-out and begin assembly (refer to assembly instructions).



<b>CONFIDENTIAL</b> All materials disclosed in this document are proprietary to Fabtex, Inc. The Holder agrees to maintain it in confidence and must not replicate or reveal this information in any manner.	<b>Project:</b> 5000 Series Drapery Tracking System Drop Ceiling with Backing Installation	
	<b>Date:</b> 15-AUG-2016	<b>Dimensions:</b> Inches/Feet
	<b>Scale:</b> DO NOT SCALE	<b>By:</b> C. Johnson

**FABTEX**<sup>®</sup>  
(800) 778-2791    www.fabtex.com

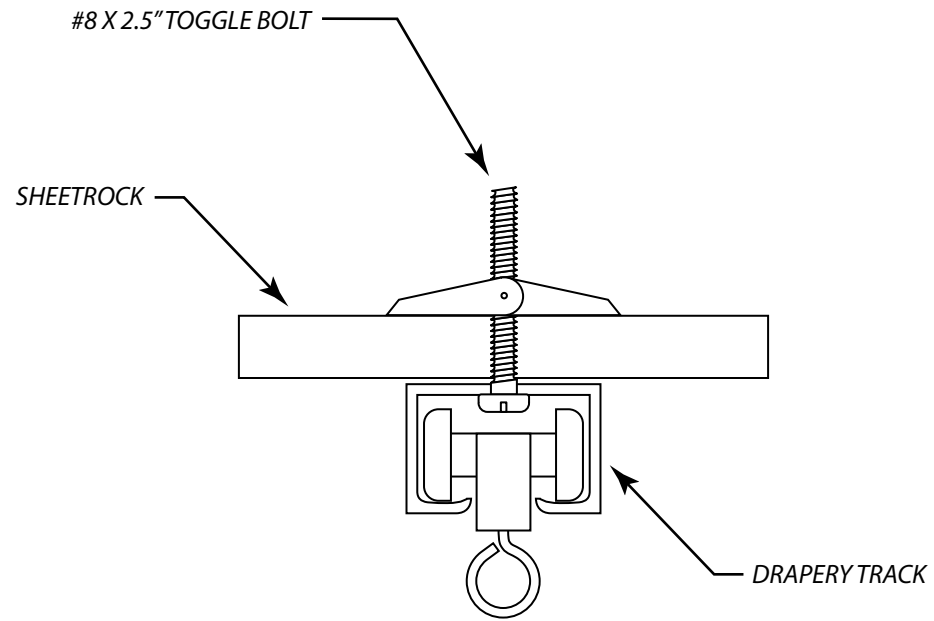


# DRAPERY TRACKING INSTALLATION INSTRUCTIONS

## ***5000 SERIES – SHEETROCK (DRYWALL) INSTALLATION***

The tools and materials that are required to install cubicle track will vary depending upon the ceiling type. Fabtex does not provide the fasteners or the tools that are required to install cubicle track. Fabtex does not assume liability on any installation method. The techniques listed here are merely industry recommendations.

1. Place the privacy track on the floor. Lay out the configurations to ensure that the track is positioned exactly where it is desired.
2. Begin on one end of the track; and mark the holes on the ceiling. Repeat this process on the track as well. Note: track should be secured at 24"- 30" intervals beginning on one end of the track.
3. Decide which end of the track will receive the end stop with pull-out.
4. Pre-drill the ceiling.
5. Pre-drill the track. Anchor track via a 3" hex head bolt and wings. Toggle will be 1/8" in diameter. Slotted hex head or Robertson head is recommended.
6. If the track is spliced, check to ensure that there are no obstructions. Then place the track splice over one end of the track and secure via the steps listed above. Slide the other side of the track into the splice and secure with a fastener. This will ensure that the carriers will not bind at this location.
7. Make sure that both ends of the tracks and the end stops are secured to the ceiling.
8. Remove the pull-out and begin assembly (refer to assembly instructions).



<b>CONFIDENTIAL</b> All materials disclosed in this document are proprietary to Fabtex, Inc. The Holder agrees to maintain it in confidence and must not replicate or reveal this information in any manner.	<b>Project:</b> 5000 Series Drapery Tracking System Sheetrock Installation	
	<b>Date:</b> 15-AUG-2016	<b>Dimensions:</b> Inches/Feet
	<b>Scale:</b> DO NOT SCALE	<b>By:</b> C. Johnson

**F A B T E X**  
 (800) 778-2791    www.fabtex.com



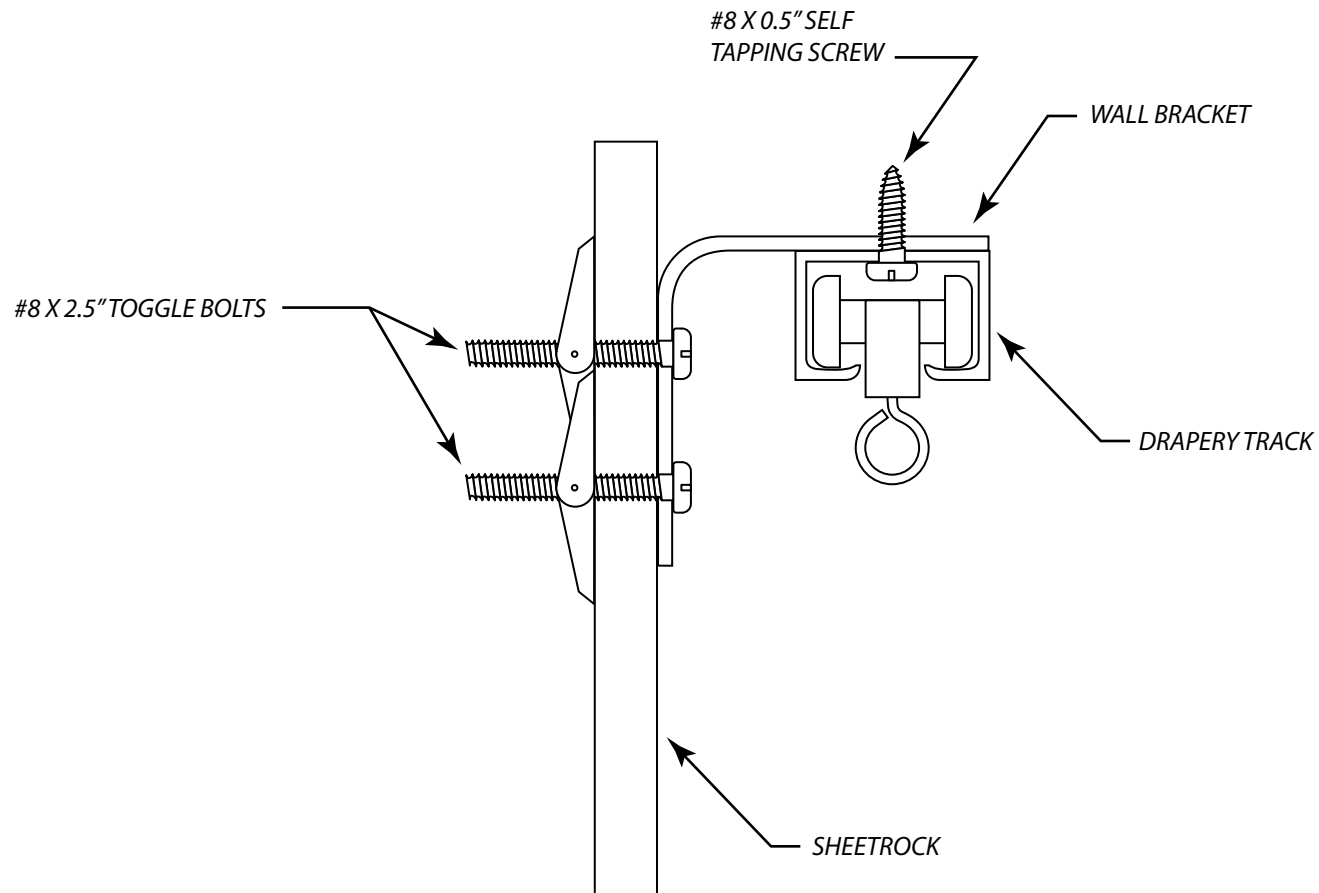
# DRAPERY TRACKING INSTALLATION INSTRUCTIONS

## ***5000 SERIES – SHEETROCK (DRYWALL) WALL INSTALLATION***

The tools and materials that are required to install drapery track will vary depending upon the wall type. Fabtex does not provide the fasteners or the tools that are required to install drapery track. Fabtex does not assume liability on any installation method. The techniques listed here are merely industry recommendations.

1. Place the drapery track on the floor. Lay out the configurations to ensure that the track is positioned exactly where it is desired.
2. Begin on one end of the track; and mark the holes on the wall. Repeat this process on the track as well. Note: track should be secured at 24"- 30" intervals beginning on one end of the track.
3. Pre-drill the wall and anchor 2x2 Wall Brackets (part #5000-31) via a 3" hex head bolt and wings. Toggle will be 1/8" in diameter. Slotted hex head or Robertson head is recommended.
4. Pre-drill the track. Anchor track via a 1/2" #8 self-tapping screw hex head or pan head recommended.
5. If the track is spliced, check to ensure that there are no obstructions. Then place the track splice over one end of the track and secure via the steps listed above. Slide the other side of the track into the splice and secure with a fastener. This will ensure that the carriers will not bind at this location.
6. Make sure that both ends of the tracks and the end stops are secured to the wall.





<b>CONFIDENTIAL</b> All materials disclosed in this document are proprietary to Fabtex, Inc. The Holder agrees to maintain it in confidence and must not replicate or reveal this information in any manner.	<b>Project:</b> 5000 Series Drapery Tracking System Sheetrock Wall Mount Installation	
	<b>Date:</b> 15-AUG-2016	<b>Dimensions:</b> Inches/Feet
	<b>Scale:</b> DO NOT SCALE	<b>By:</b> C. Johnson

**F A B T E X**<sup>®</sup>

(800) 778-2791      [www.fabtex.com](http://www.fabtex.com)

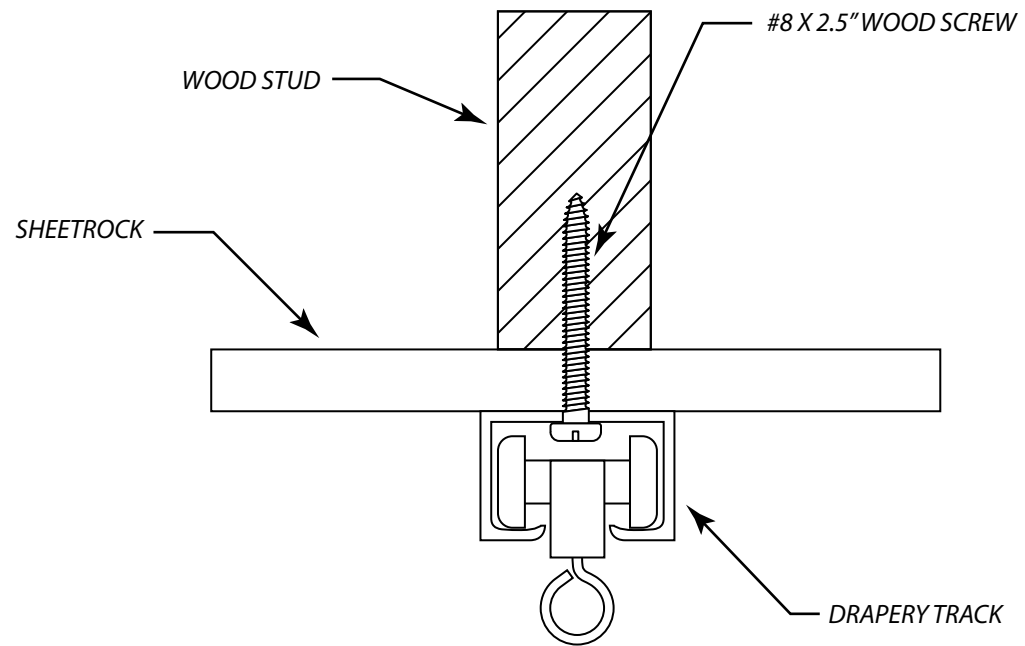


# DRAPERY TRACKING INSTALLATION INSTRUCTIONS


## *5000 SERIES – WOOD INSTALLATION*

The tools and materials that are required to install cubicle track will vary depending upon the ceiling type. Fabtex does not provide the fasteners or the tools that are required to install cubicle track. Fabtex does not assume liability on any installation method. The techniques listed here are merely industry recommendations.

1. Place the privacy track on the floor. Lay out the configurations to ensure that the track is positioned exactly where it is desired.
2. Begin on one end of the track; and mark the holes on the ceiling. Repeat this process on the track as well. Note: track should be secured at 24"- 30" intervals beginning on one end of the track.
3. Decide which end of the track will receive the end stop with pull-out.
4. Pre-drill the track. Anchor track via a 2" #8 self-tapping screw hex head or pan head recommended. Track will be anchored directly to the drop ceiling grid.
5. If the track is spliced, check to ensure that there are no obstructions. Then place the track splice over one end of the track and secure via the steps listed above. Slide the other side of the track into the splice and secure with a fastener. This will ensure that the carriers will not bind at this location.
6. Make sure that both ends of the tracks and the end stops are secured to the ceiling.
7. Remove the pull-out and begin assembly (refer to assembly instructions).



<b>CONFIDENTIAL</b> All materials disclosed in this document are proprietary to Fabtex, Inc. The Holder agrees to maintain it in confidence and must not replicate or reveal this information in any manner.	<b>Project:</b> 5000 Series Drapery Tracking System Wood Stud Installation	
	<b>Date:</b> 15-AUG-2016	<b>Dimensions:</b> Inches/Feet
	<b>Scale:</b> DO NOT SCALE	<b>By:</b> C. Johnson



**F A B T E X**<sup>®</sup>

(800) 778-2791    [www.fabtex.com](http://www.fabtex.com)

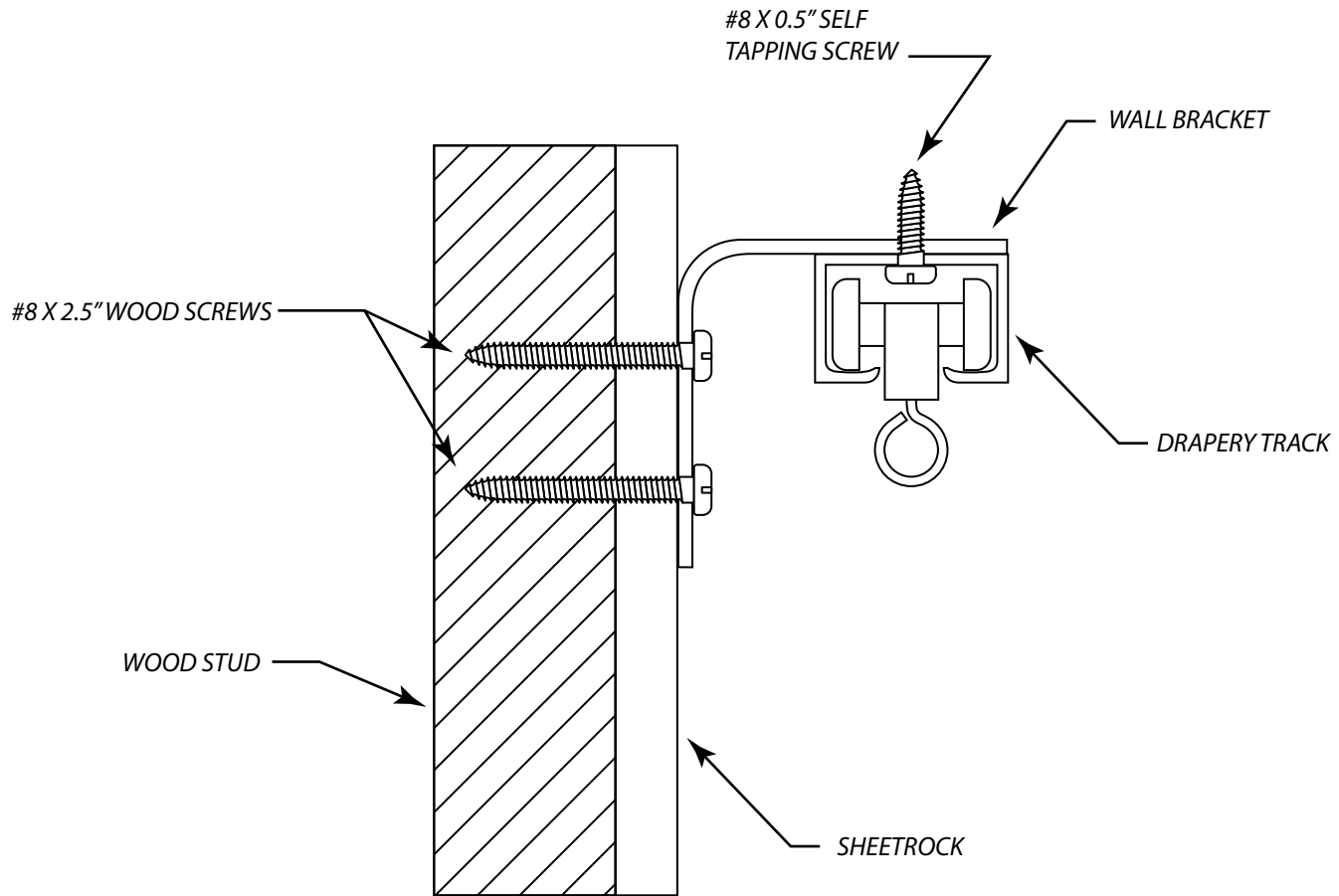


# DRAPERY TRACKING INSTALLATION INSTRUCTIONS

## *5000 SERIES – WOOD WALL INSTALLATION*

The tools and materials that are required to install drapery track will vary depending upon the wall type. Fabtex does not provide the fasteners or the tools that are required to install drapery track. Fabtex does not assume liability on any installation method. The techniques listed here are merely industry recommendations.

1. Place the drapery track on the floor. Lay out the configurations to ensure that the track is positioned exactly where it is desired.
2. Begin on one end of the track; and mark the holes on the wall. Repeat this process on the track as well. Note: track should be secured at 24"- 30" intervals beginning on one end of the track.
3. Pre-drill the wall and anchor 2x2 Wall Brackets (part #5000-31) via two 2" #8 self-tapping screw hex heads or pan heads recommended.
4. Pre-drill the track. Anchor track via a 1/2" #8 self-tapping screw hex head or pan head recommended.
5. If the track is spliced, check to ensure that there are no obstructions. Then place the track splice over one end of the track and secure via the steps listed above. Slide the other side of the track into the splice and secure with a fastener. This will ensure that the carriers will not bind at this location.
6. Make sure that both ends of the tracks and the end stops are secured to the wall.



<b>CONFIDENTIAL</b> All materials disclosed in this document are proprietary to Fabtex, Inc. The Holder agrees to maintain it in confidence and must not replicate or reveal this information in any manner.	<b>Project:</b> 5000 Series Drapery Tracking System Wall Mount Installation	
	<b>Date:</b> 16-AUG-2016	<b>Dimensions:</b> Inches/Feet
	<b>Scale:</b> DO NOT SCALE	<b>By:</b> C. Johnson

**F A B T E X**<sup>®</sup>

(800) 778-2791      [www.fabtex.com](http://www.fabtex.com)

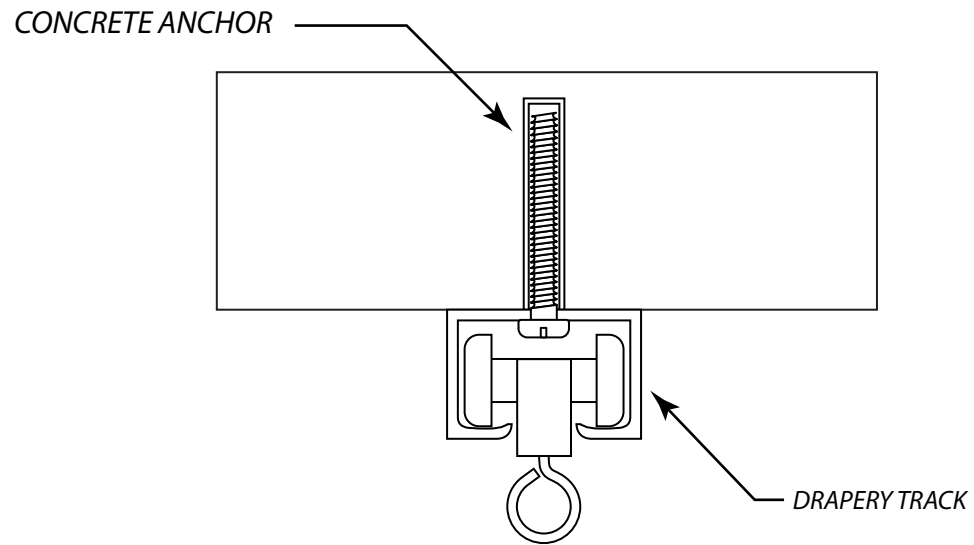


# DRAPERY TRACKING INSTALLATION INSTRUCTIONS

## ***5000 SERIES – CONCRETE INSTALLATION***

The tools and materials that are required to install cubicle track will vary depending upon the ceiling type. Fabtex does not provide the fasteners or the tools that are required to install cubicle track. Fabtex does not assume liability on any installation method. The techniques listed here are merely industry recommendations.

1. Place the privacy track on the floor. Lay out the configurations to ensure that the track is positioned exactly where it is desired.
2. Begin on one end of the track; and mark the holes on the ceiling. Repeat this process on the track as well. Note: track should be secured at 24"- 30" intervals beginning on one end of the track.
3. Decide which end of the track will receive the end stop with pull-out.
4. Pre-drill the ceiling. Insert a 1 ¼" concrete anchor.
5. Pre-drill the track. Anchor track via a 1 ¼" #8 self-tapping screw hex head or pan head recommended.
6. If the track is spliced, check to ensure that there are no obstructions. Then place the track splice over one end of the track and secure via the steps listed above. Slide the other side of the track into the splice and secure with a fastener. This will ensure that the carriers will not bind at this location.
7. Make sure that both ends of the tracks and the end stops are secured to the ceiling.
8. Remove the pull-out and begin assembly (refer to assembly instructions).



<b>CONFIDENTIAL</b> All materials disclosed in this document are proprietary to Fabtex, Inc. The Holder agrees to maintain it in confidence and must not replicate or reveal this information in any manner.	<b>Project:</b> 5000 Series Drapery Tracking System Concrete Installation	
	<b>Date:</b> 15-AUG-2016	<b>Dimensions:</b> Inches/Feet
	<b>Scale:</b> DO NOT SCALE	<b>By:</b> C. Johnson

**F A B T E X**<sup>®</sup>

(800) 778-2791      [www.fabtex.com](http://www.fabtex.com)



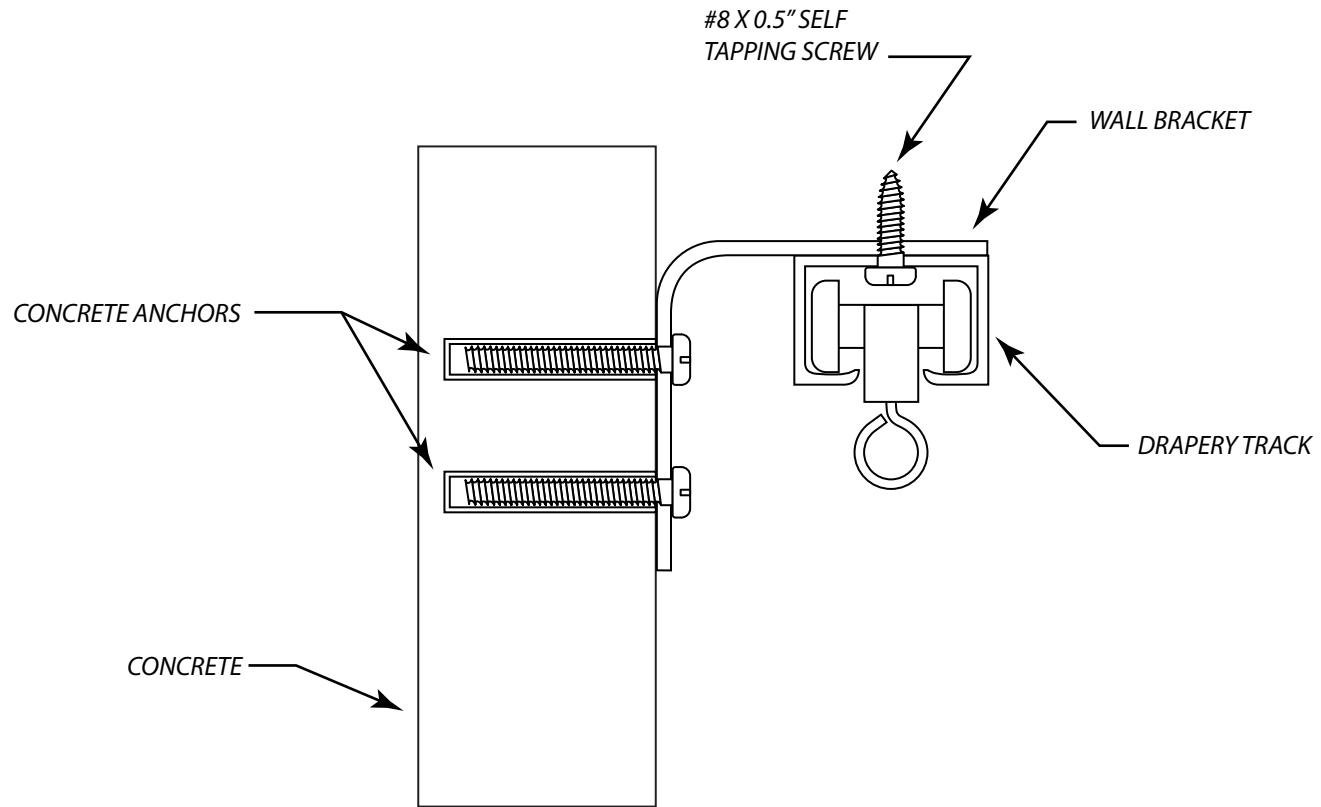
# CUBICLE TRACKING INSTALLATION INSTRUCTIONS

## ***5000 SERIES – CONCRETE WALL INSTALLATION***

The tools and materials that are required to install drapery track will vary depending upon the wall type. Fabtex does not provide the fasteners or the tools that are required to install drapery track. Fabtex does not assume liability on any installation method. The techniques listed here are merely industry recommendations.

1. Place the drapery track on the floor. Lay out the configurations to ensure that the track is positioned exactly where it is desired.
2. Begin on one end of the track; and mark the holes on the wall. Repeat this process on the track as well. Note: track should be secured at 24"- 30" intervals beginning on one end of the track.
3. Pre-drill the wall. Insert a 1 ¼" concrete anchor.
4. Anchor 2x2 Wall Bracket (part #5000-31) via a 1 ¼" #8 self-tapping screw hex head or pan head recommended.
5. Pre-drill the track. Anchor track via a 1/2" #8 self-tapping screw hex head or pan head recommended.
6. If the track is spliced, check to ensure that there are no obstructions. Then place the track splice over one end of the track and secure via the steps listed above. Slide the other side of the track into the splice and secure with a fastener. This will ensure that the carriers will not bind at this location.
7. Make sure that both ends of the tracks and the end stops are secured to the wall.





<b>CONFIDENTIAL</b> All materials disclosed in this document are proprietary to Fabtex, Inc. The Holder agrees to maintain it in confidence and must not replicate or reveal this information in any manner.	<b>Project:</b> 5000 Series Drapery Tracking System Concrete Wall Mount Installation	
	<b>Date:</b> 15-AUG-2016	<b>Dimensions:</b> Inches/Feet
	<b>Scale:</b> DO NOT SCALE	<b>By:</b> C. Johnson

**F A B T E X**<sup>®</sup>  
 (800) 778-2791      www.fabtex.com



# DRAPERY TRACKING SPECIFICATIONS – 5000 SERIES

## DIVISION 12490

### **Part 1 – General**

#### 1.1 Summary

- A. Work included in this Section: Provision of drapery and track.
- B. Related Work Not Included in this Section: Backing for drapery tracks.

#### 1.2 System Description

- A. Performance Requirements
  - 1. Provide draperies that conform to the following requirements of regulatory agencies and the quality control of Fabtex, Inc.
- B. Fire Performance Characteristics
  - 1. Provide curtains that conform to NFPA 701 (Fire Tests for Flame and Resistant Textiles and Films) and California Title 19 regulations.

#### 1.3 Submittals

- A. Product Data
  - 1. Manufacturer's printed product data for each type of drapery specified.
- B. Fabric Samples
  - 1. Swatch cards of fabric (memo) samples illustrating fabric color and weave.
- C. Track Samples
  - 1. Verification samples of drapery track, 6 inch (153mm) long, in full size with carriers and end stops.

#### 1.4 Delivery, Storage and Handling

- A. Deliver and store packaged products in original containers with seals unbroken and labels intact until time of use.
- B. Inspect materials at delivery to assure that specified products have been received.
- C. Store delivered products inside in a clean, safe and dry environment.

#### 1.5 Warranty

- A. Standard Fabtex Limited Warranty against material and manufacturing defects for a period of 1 year from the date of the installation.

### **Part 2 – Products**

#### 2.1 Fabtex 5000 Series Drapery Track

- A. Description: Heavy duty ceiling or wall mounted aluminum track with matching splices; carriers or slides; corded traverse operations.
- B. Acceptable manufacturer
  - 1. Fabtex Inc., (800) 778-2791 in accordance with specifications, drawings, and contract documents.
- C. Substitutions: Not Permitted
- D. Provide all drapery tracks from a single source.
- E. Track Material
  - 1. Drapery Tracking System: Fabtex 5000 Series heavy duty extruded clear anodized aluminum drapery track systems.
  - 2. Track to be delivered in straight lengths up to 20 feet (6.1m).
  - 3. Configuration Sections: Provide illustrations of bends.
    - a. Standard Bends
      - i. 90 degree bend with a 12 inch (305mm) radius
      - ii. 45 degree bend with a 12 inch (305mm) radius
      - iii. 180 degree bend with a 60 inch (1524mm) radius
      - iv. 90 degree bend with a 60 inch (1524mm) radius
    - b. Custom Bends
      - i. Provide drawing with dimensions. Template may be required



# DRAPERY TRACKING SPECIFICATIONS – 5000 SERIES

## DIVISION 12490

### *Part 2 – Products (continued)*

#### 2.2 Drapery

- A. Description: 100% polyester draperies. Fabric is to be dry cleanable and flame retardant.
- B. Acceptable manufacturer
  - 1. Fabtex Inc., (800) 778-2791 in accordance with specifications, drawings, and contract documents.
- C. Substitutions: Not Permitted
- D. Provide all draperies from a single source.
- E. Drapery Styles (select one)
  - 1. Pinch Pleated
  - 2. Accordia-Fold
  - 3. Ripple-Fold
- F. Construction:
  - 1. Height of draperies to be from 1 inch (25mm) below ceiling or wall mounted track to a distance of not more than 1 inch (25mm) from the floor. Unless otherwise noted.
  - 2. Draperies to have minimum of 200 percent (double) fullness, width to be determined by length of track to ensure proper enclosure.
  - 3. Form top and bottom hems by a double fold securely sewn with edges and panels seams 4 inch (102mm) overlapped lock stitched.
  - 4. Provide pin hooks per every pleat or snap tape as appropriate for the construction of the drapery.
  - 5. Sew a Fabtex identification label and cleaning instructions on the top hem of each drapery to identify the size of the drapery.
  - 6. Fabricate curtains with a polyester or blackout lining to be sewn to each drapery.
  - 7. Fabric railroading: Vertical striped patterns are to be railroaded. All other patterns will be pattern matched and sewn with vertical seams.
  - 8. Plaids: Cut plaid pattern materials utilizing a straight edge; thread pulling to mark cutting line is not an acceptable method.
- G. Fabric:
  - 1. Fabric Selection
    - a. Select solid or patterned fabric from manufacturer's selection.
  - 2. Lining Selection
    - a. Select blackout lining or polyester lining from the standard selection of samples from Fabtex, Inc.

### *Part 3 – Execution*

#### 3.1 Preparation

- A. Coordinate details with other work supporting, adjoining, or otherwise contacting items as required to ensure proper installation.
- B. Verify that surfaces and above ceiling supports/backing are installed by the general contractor and are ready to receive work.

#### 3.2 Examination

- A. Examine construction to support, adjoin, or otherwise contact and verify that:
  - 1. Dimensions are correct.
  - 2. Backing is available and installed where required.
  - 3. Exposed finishes have been applied, and setting conditions are dry, clean, and otherwise proper for installation.
- B. Do not install items until unsatisfactory conditions have been corrected.



# DRAPERY TRACKING SPECIFICATIONS – 5000 SERIES

## DIVISION 12490

### *Part 3 – Execution (continued)*

#### 3.3 Installation

- A. Install track in accordance with approved Fabtex, Inc. recommendations and reviewed Shop Drawings.
- B. Typical Fastenings: Use machine screws or bolts to metal backing.
- C. Drill and tap mounting surfaces for mounting hardware as required.
- D. Install track in one piece when less than 14 feet (6.1m) long and with no more than one splice for each additional 14 feet (6.1m).
- E. Form corner bends with 12 inch (308mm) radius.
- F. Butt Joints
  - 1. Secure with splices.
- G. Carriers
  - 1. Furnish one carrier per every 4 inches (102mm) of track plus 10 percent extra for each track length.
- H. End Stops
  - 1. Provide at both ends with removable pull-out at one end of each track length.
- I. Furnish tag designating proper size curtain at curtain stacking end of runs.

#### 3.4 Cleaning

- A. At completion of installation, remove any debris and clean surfaces in accordance with Fabtex, Inc. clean-up and maintenance instructions.